



**MST**  
MAX SPEED TECHNOLOGY

**X-RTR**  
**Rally**

1/10 RC 4WD RALLY CAR

**EXPLODED  
MANUAL**

FULL BALL BEARINGS

WHEELBASE : STANDARD 257mm (adjustable)  
WIDTH : STANDARD 186mm (adjustable)  
GEAR RATIO : 5.54 ~ 9.22  
CASTER : 6 degrees

[www.rc-mst.com](http://www.rc-mst.com)

\*SPECIFICATION ARE SUBJECT TO CHANGE WITHOUT NOTICE

# XXX RALLY RTR

1/10 RC 4WD HIGH PERFORMANCE RALLY CAR



Appreciate for your choice of XXX-RALLY RTR! You will be impressed with its performance and beauty. Please prepare additional parts as car battery, transmitter battery, and charger. Please follow the process for assemble and setting of parts package. If you have doubt or need assistance, please contact the purchased shop or hobby shop for help, many thanks! 首先感謝你購入 XXX-RALLY RTR 這項產品，您將擁有一部兼具性能與美型的拉力賽車。在首次操作前，有以下幾項須要另行購置的物件；車用電池、遙控器用電池、充電器。備妥上述物件後，請進行零件包安裝與設定。如需其他協助，請向原購買店家，或遙控模型店詢問！謝謝！

PLEASE FOLLOW BELOW OPERATIONS BEFORE ASSEMBLING THE PARTS PACKAGE. 請於安裝零件包之前，執行以下操作

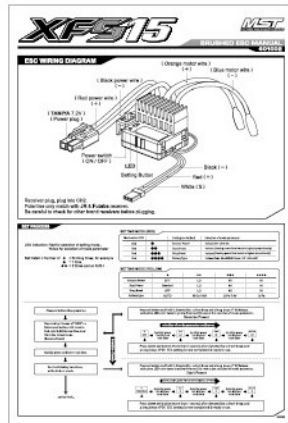


- |                                     |                 |
|-------------------------------------|-----------------|
| 1 Install transmitter batteries.    | 1 安裝遙控器電池       |
| 2 Loosen receiver antenna.          | 2 鬆開接收機天線       |
| 3 Connector ESC and battery.        | 3 聯結車用電池與電子變速器  |
| 4 Switch on the transmitter.        | 4 打開遙控器電源       |
| 5 Trims the transmitter in neutral. | 5 調整遙控器各微調器至中立點 |
| 6 Switch on the ESC.                | 6 打開電子變速器電源     |
| 7 Completed.                        | 7 完成            |

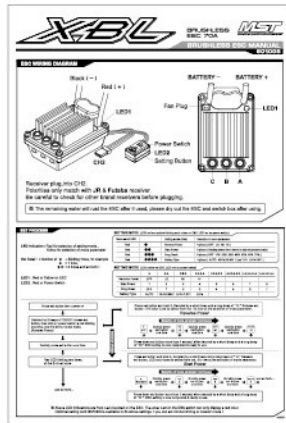
※ Please play this product in opening or safety area. 請於空曠或安全無虞的場所，使用本項產品。



※ Please refer to instruction of transmitter & receiver performance. 遙控器&接收機功能說明請參閱詳細說明書。

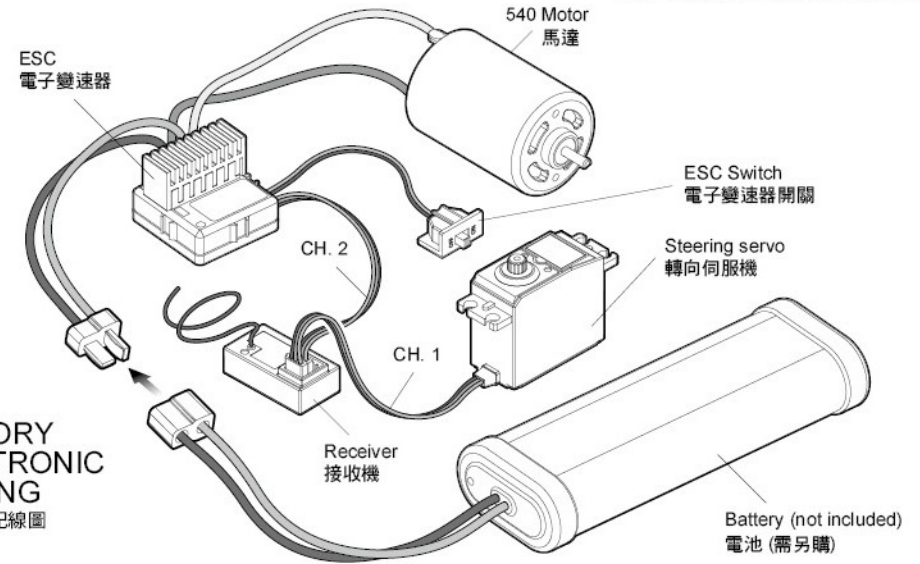


※ Please refer to instruction of ESC performance. 電子變速器功能說明請參閱詳細說明書。



## FACTORY ELECTRONIC SETTING

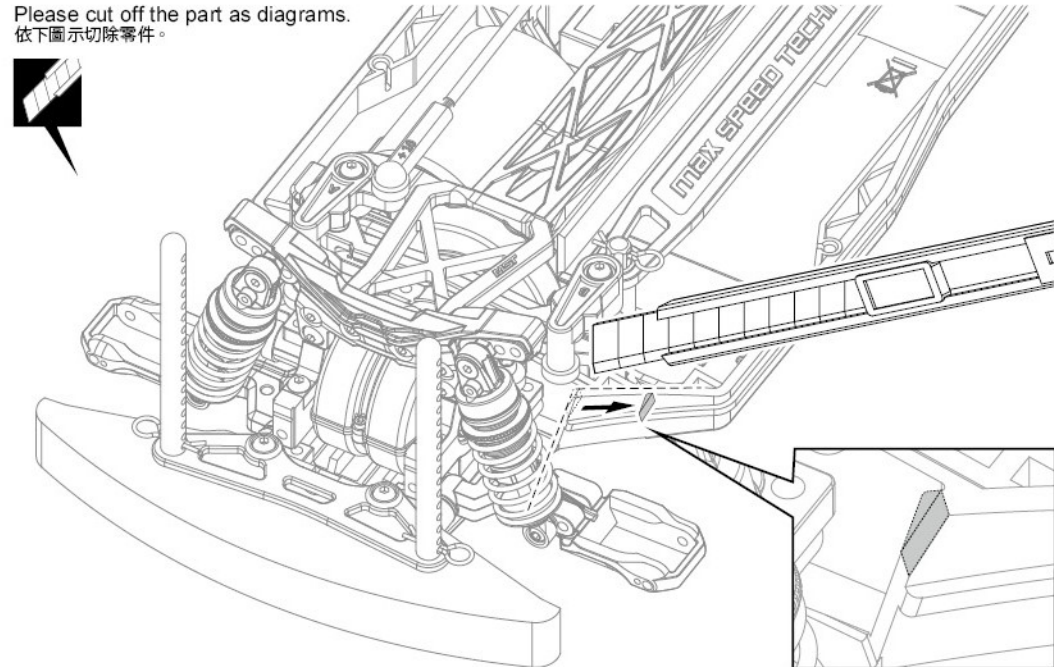
原廠電裝配線圖



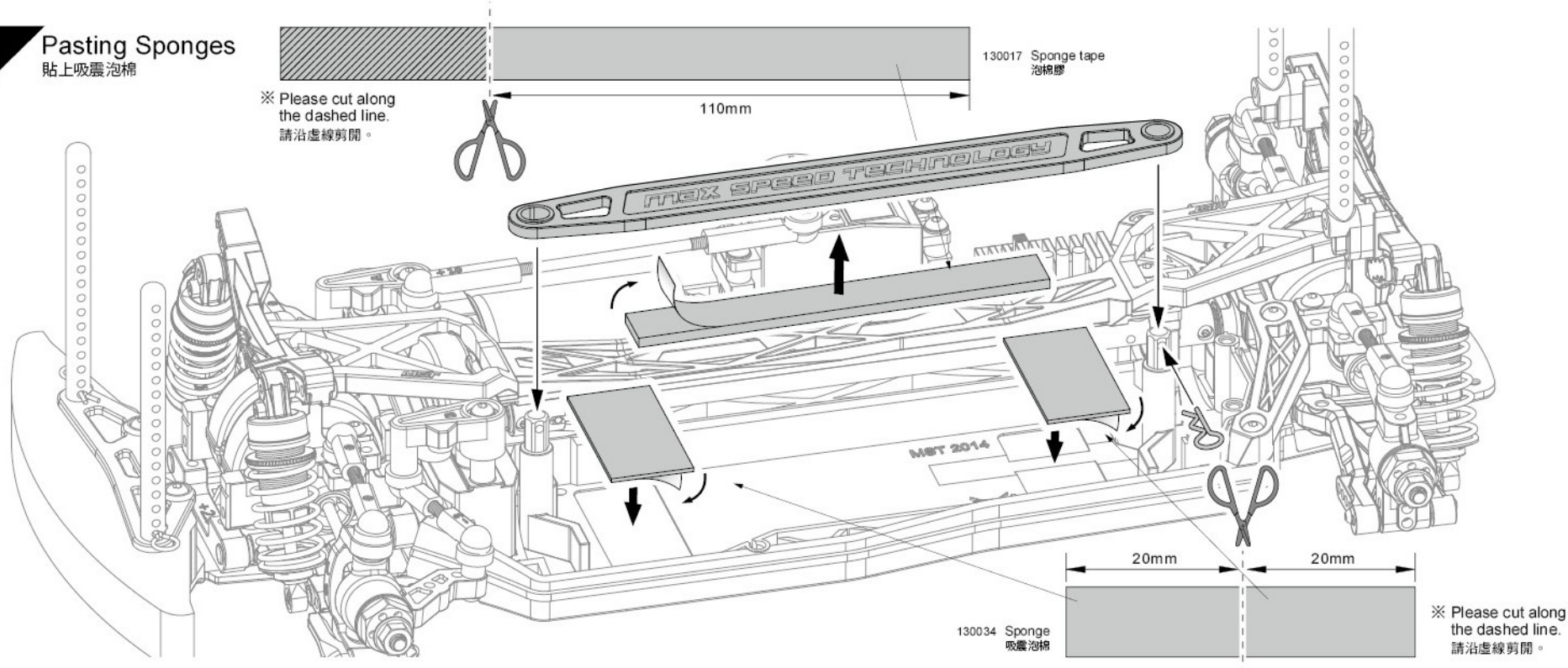
## STEP 1 Cutting Part

切除零件

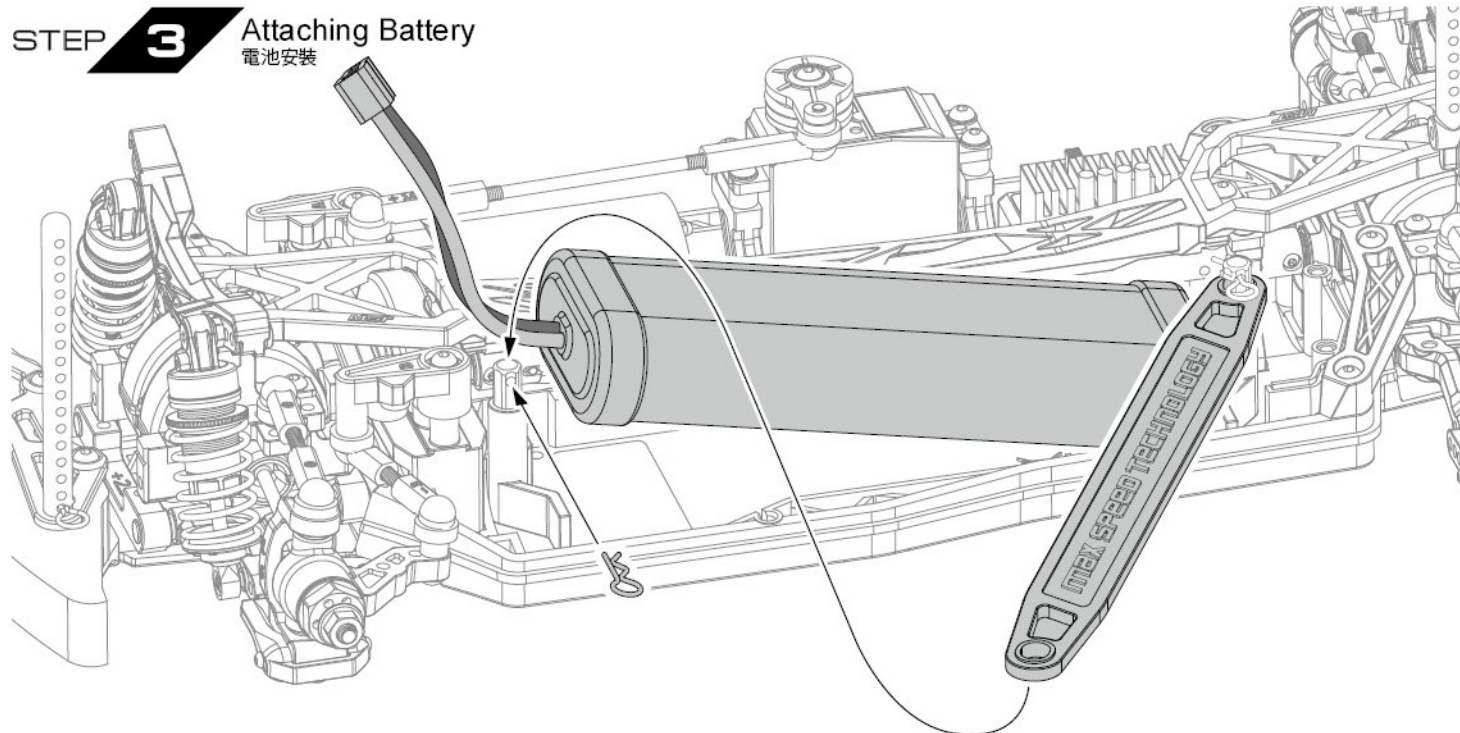
Please cut off the part as diagrams. 依下圖示切除零件。



**STEP 2** Pasting Sponges  
貼上吸震泡棉

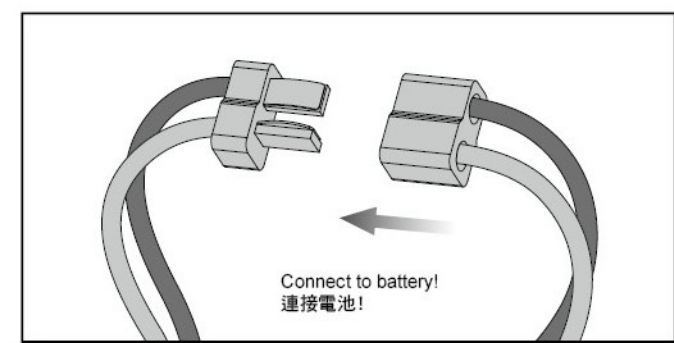


**STEP 3** Attaching Battery  
電池安裝



※ The assembly and conservation method may be different by specification of battery.  
電池的安裝方式會因為廠牌規格而有些微差異，電池的使用方式與保存方式，也會因電池的種類而有所不同。

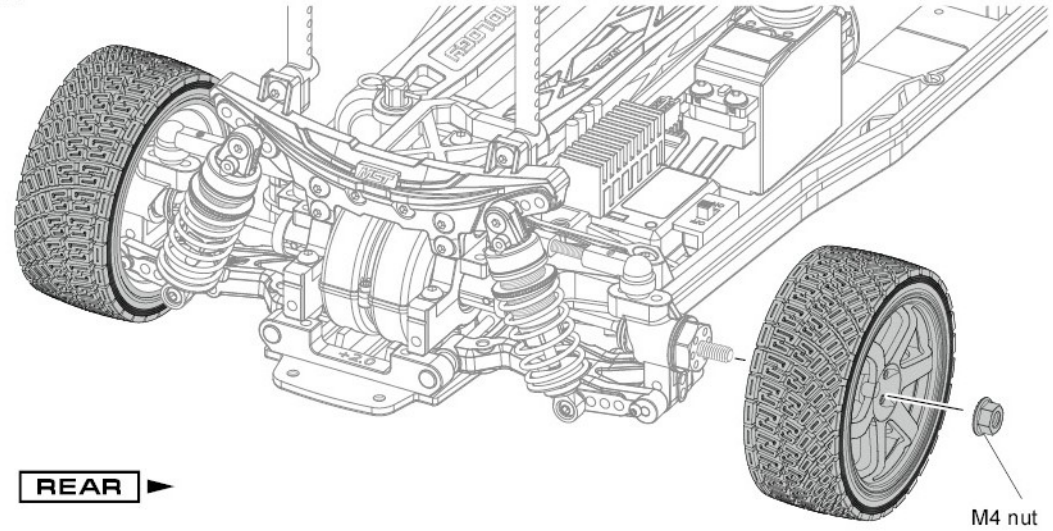
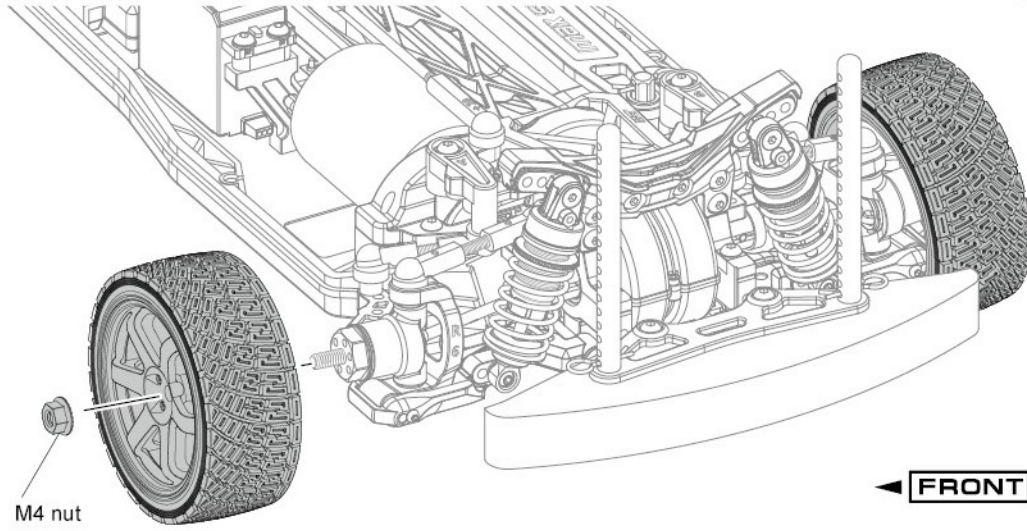
※ Recommended battery measurement L140×W48×H25.4mm (not exceed)  
建議安裝長140×寬48×高25.4mm尺寸以內的電池。



※ Please play in safe place after all setting finish.  
Before playing, please switch on transmitter then on the car.  
Please switch off reversely.  
安裝設定完成後，請於安全場所使用本產品！  
使用前請先開啟遙控器電源後再開啟車體電源！  
使用後請反向操作關閉！

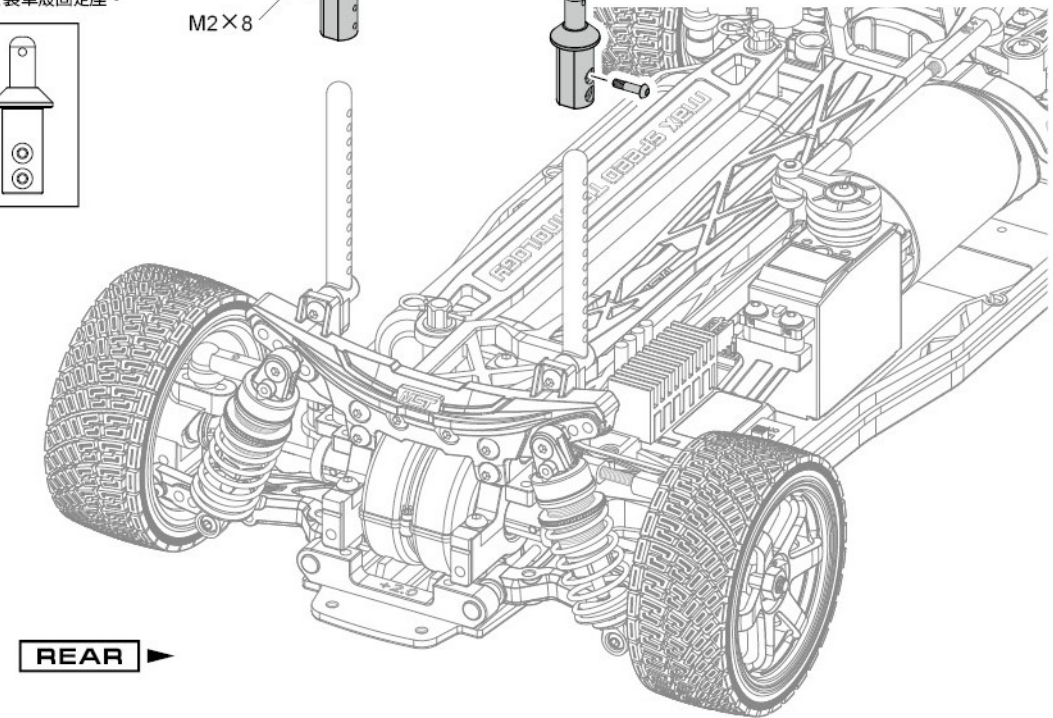
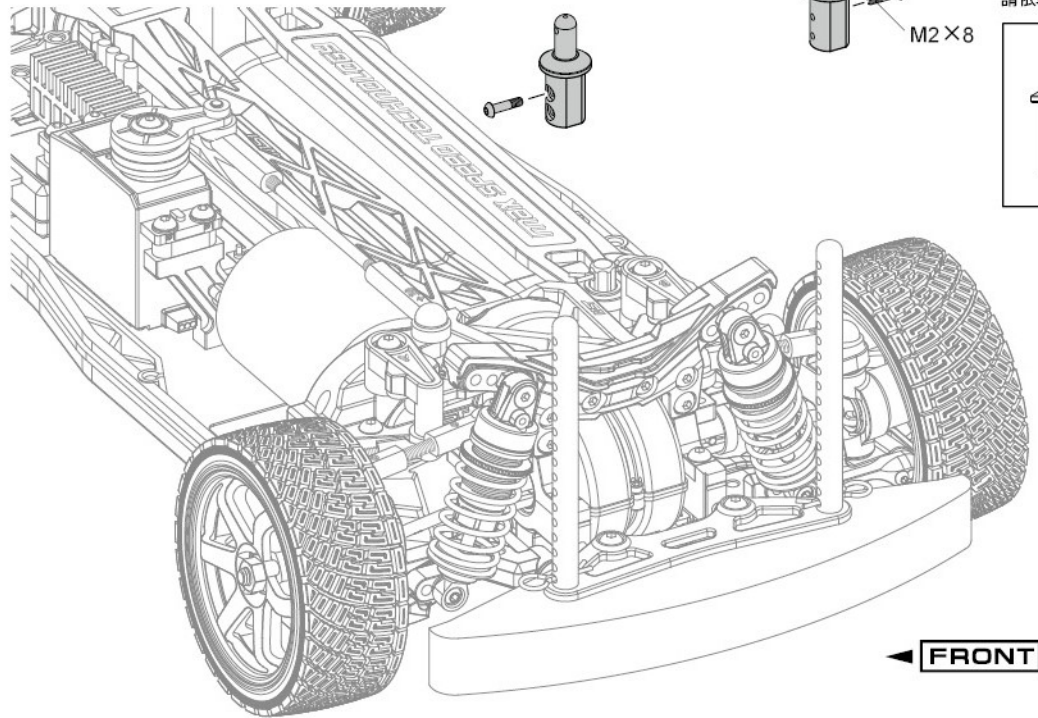
**STEP 4** Attaching Tire  
安裝車輪

※ Note the mounting tire pattern direction!  
注意胎紋安裝方向！



**STEP 5** Attaching Body Mounts  
安裝車殼固定座

※ Please set the body mounts according to the car body.  
請依車殼高度安裝車殼固定座。



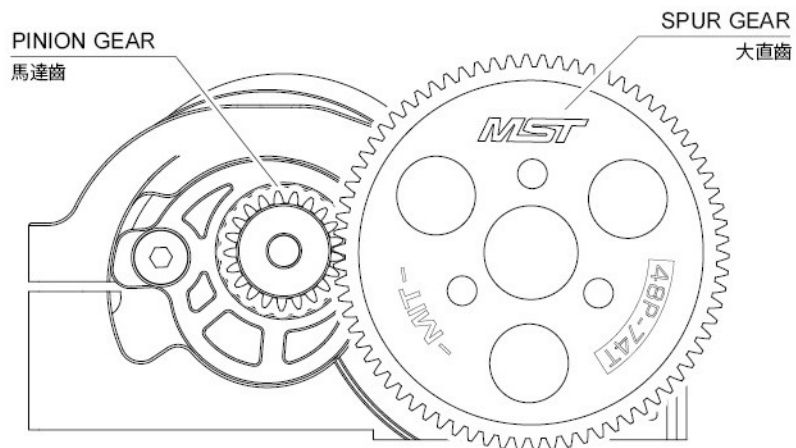
**GEAR RATIO** ( For 48P Spur Gear )

FINAL DRIVE 36T/17T <2.12>			
	70T	72T	74T
17T			9.22
18T			8.71
19T		8.02	8.25
20T		7.62	7.84
21T	7.06	7.26	7.46
22T	6.74	6.93	7.12
23T	6.45	6.63	6.81
24T	6.18	6.35	6.53
25T	5.93	6.10	6.27
26T	5.70	5.86	6.03

**\* FORMULA**

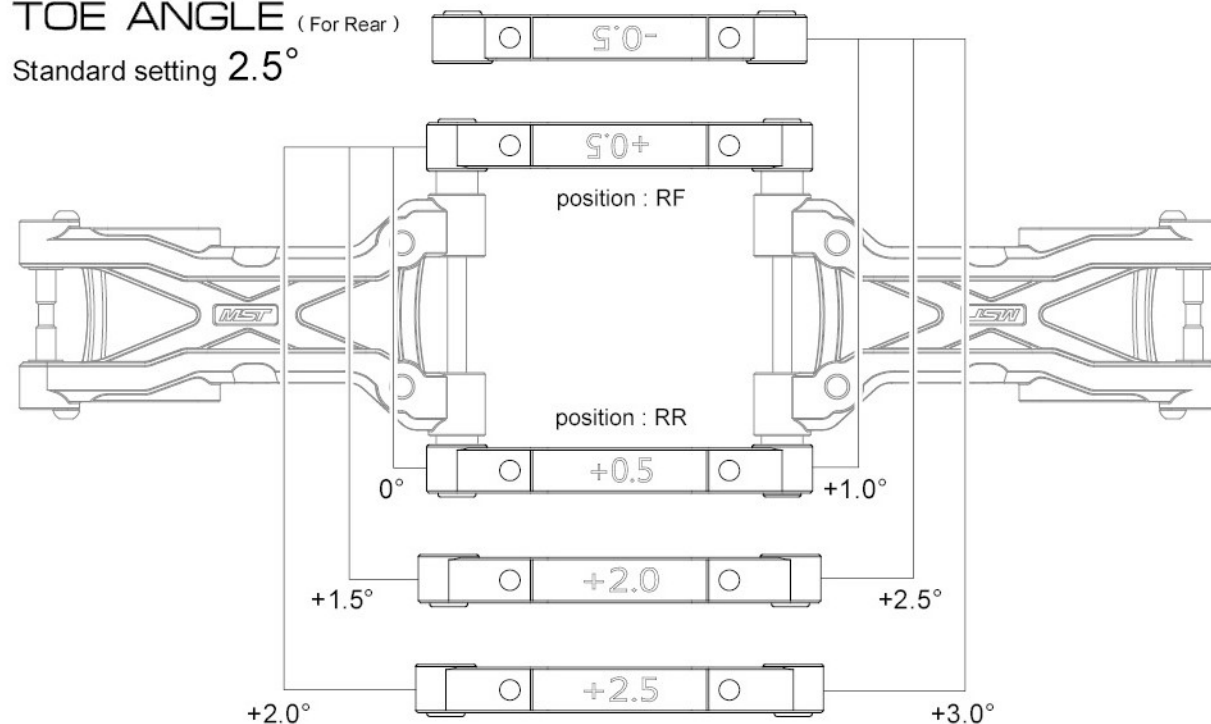
計算公式

$$\left( \frac{\text{Spur gear teeth} \text{ 大直齒}}{\text{Pinion gear teeth} \text{ 馬達齒}} \times 2.12 \right) = \text{Gear ratio} \text{ 終傳比}$$

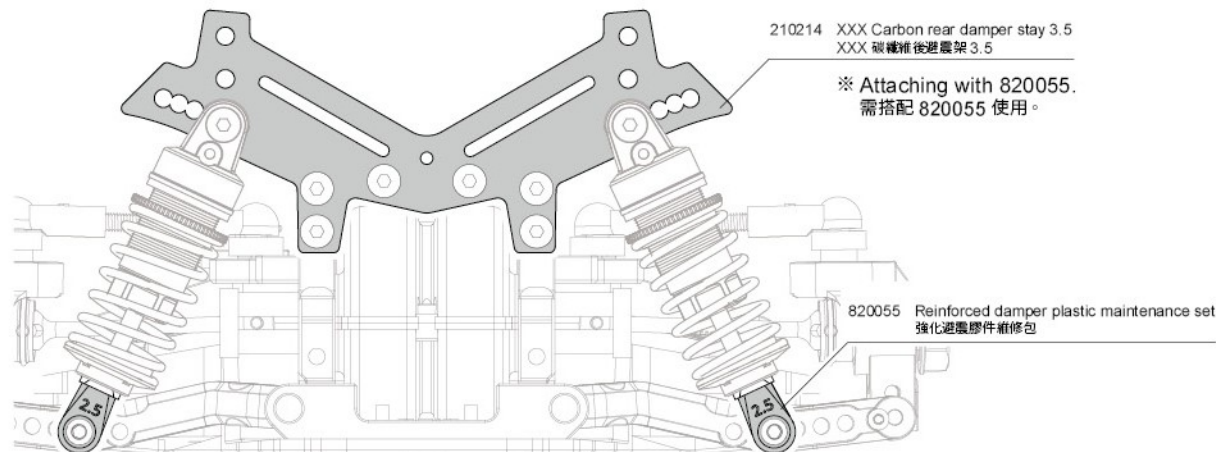


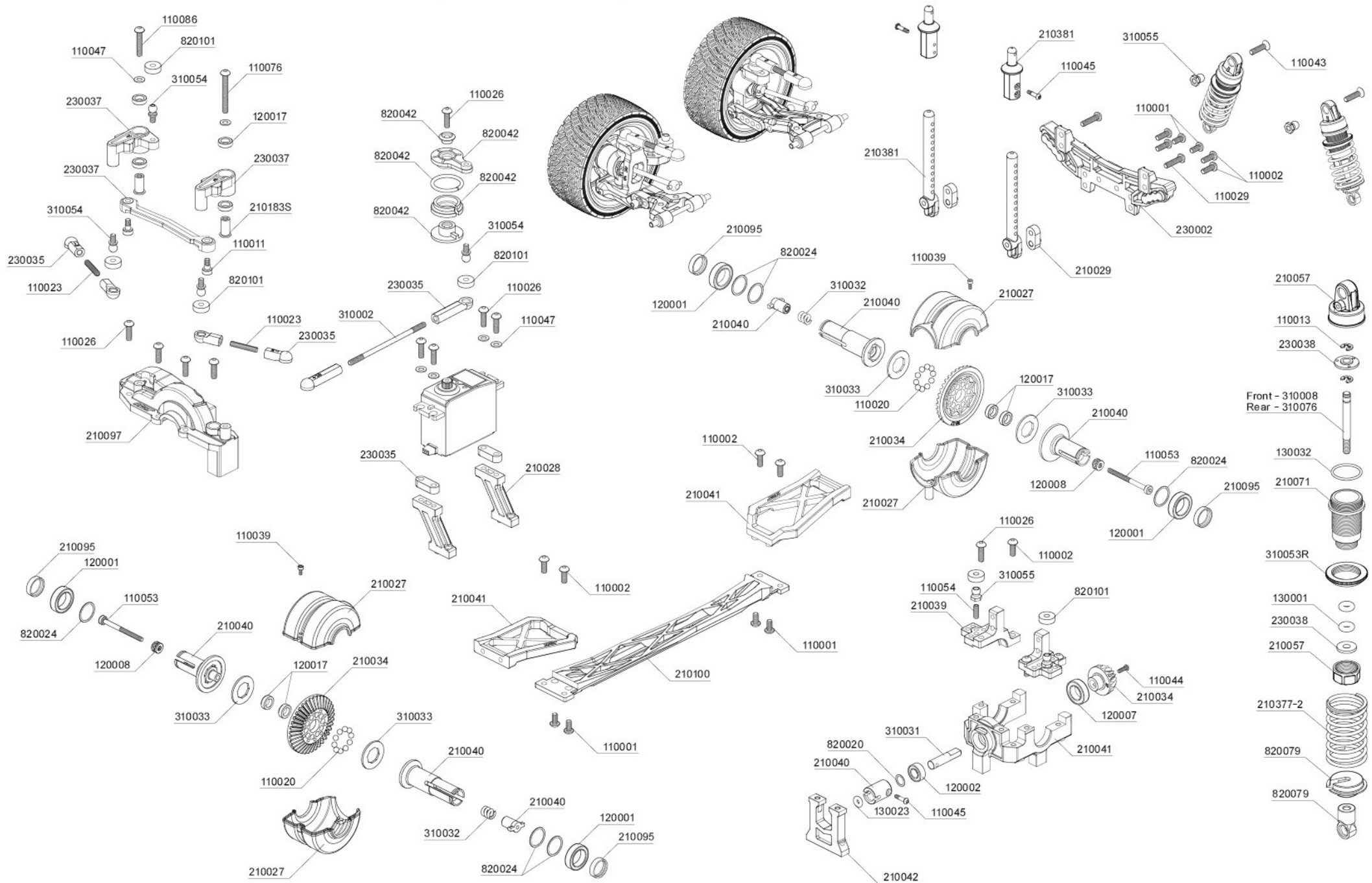
**TOE ANGLE** ( For Rear )

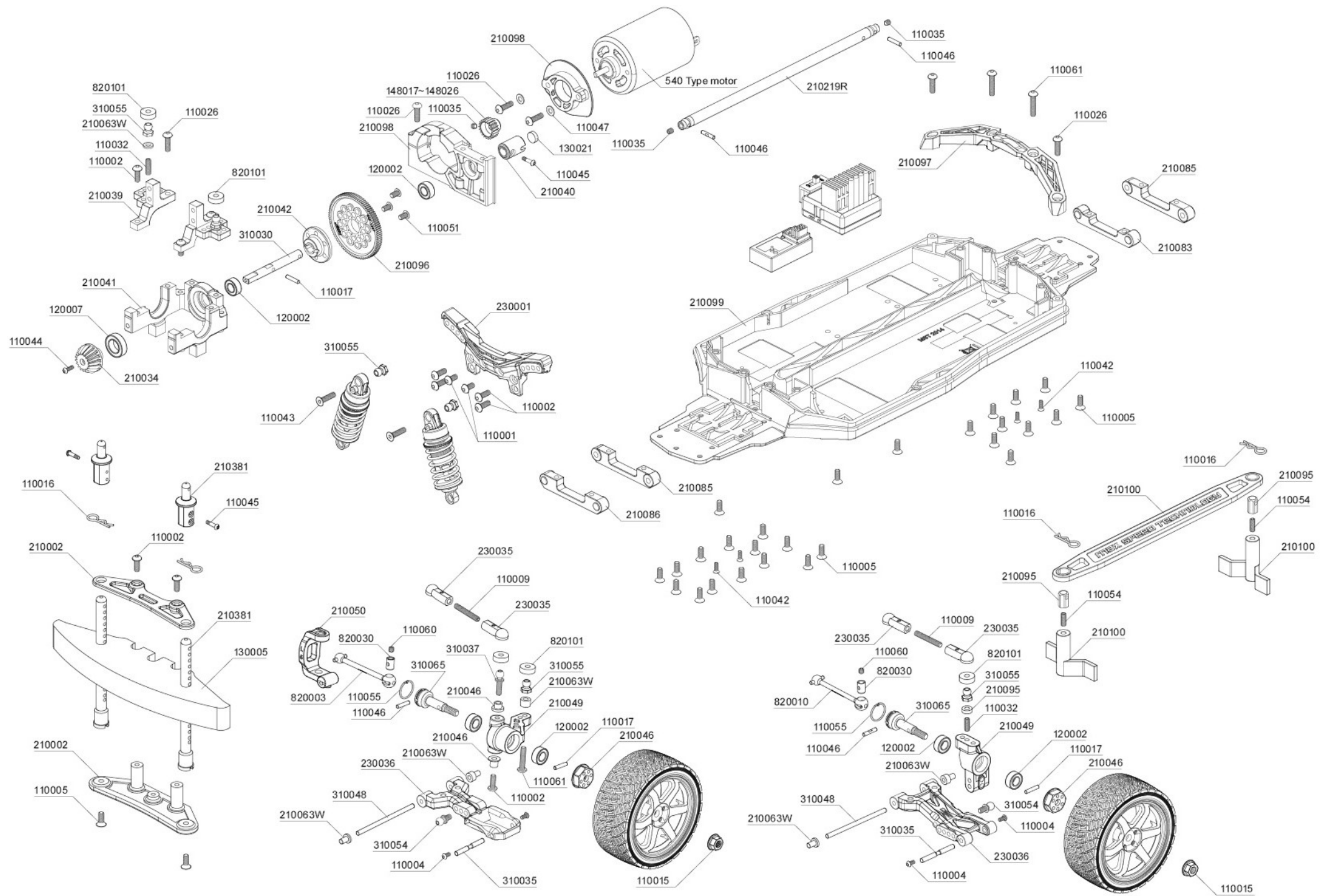
Standard setting 2.5°












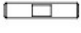






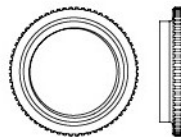





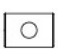
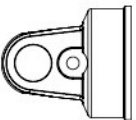















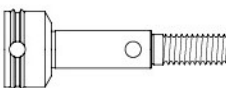
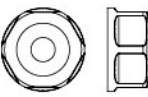





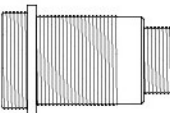
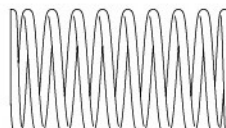




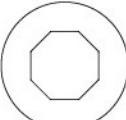
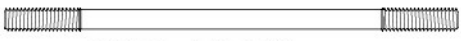













**OPTION PARTS** ( Note )





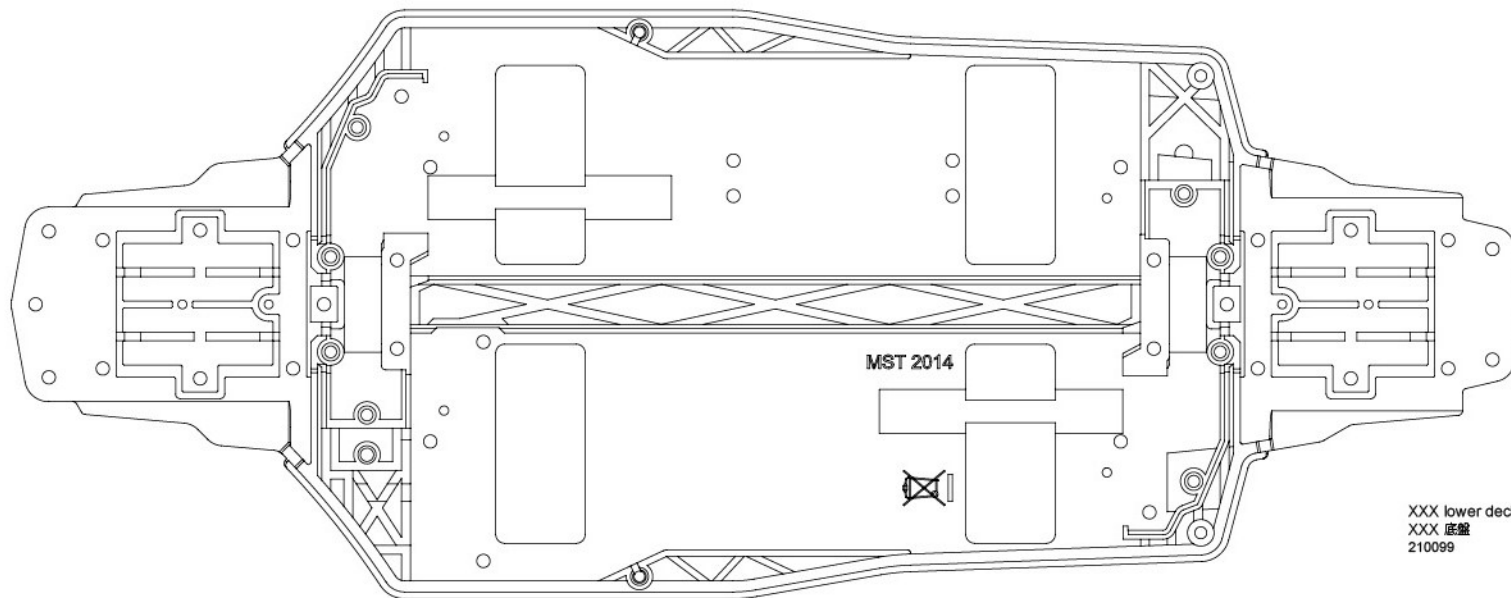


# PARTS

	M2×4 Screw ×8 圓頭螺絲 110004		M3×2.6 Screw ×4 止付螺絲 110060		Steel ball 3.0 ×20 鋼珠 3.0 110020		2×9.8 Shaft ×5 插銷 110017		Piston rod 28mm ×2 避震軸心 28mm 310008		E-clip ×8 E形扣 110013
	M2×6 Screw ×2 圓頭螺絲 110044		M3×3 Screw ×3 止付螺絲 110035		2.5×6 Thrust bearing ×2 止推培林 120008		2×9.8 Shaft ×6 插銷(削溝) 110046		Piston rod 30.5mm ×2 避震軸心 30.5mm 310076		Damper O-ring ×8 避震O環 130001
	M3×6 Screw ×8 圓頭螺絲 110001		M3×8 Screw ×4 止付螺絲 110054		O-ring P3 (black) ×1 O環 P3 (黑) 130023		2.6×22 Shaft ×2 插銷 310035		Spring retainer ×4 避震器調整環 310053R		10.8×0.9 O-ring ×4 O環 130032
	M3×8 Screw ×20 圓頭螺絲 110002		M3×10 Screw ×4 止付螺絲 110032		3×6×0.5 Spacer ×8 墊片 110047		2.6×25 Shaft ×2 插銷 310035		Cross joint ×4 連接軸 820030		Cylinder cap ×4 避震器上蓋 210057
	M3×10 Screw ×18 圓頭螺絲 110026		M3×16 Screw ×2 止付螺絲 110023		5×7×0.3 Spacer ×1 墊片 820020		2.5×46 Shaft ×4 插銷 310048		Bevel gear-short shaft ×1 傘齒短軸 310031		Piston ×4 避震活塞 230038
	M3×12 Screw ×2 圓頭螺絲 110029		M3×20 Screw ×4 止付螺絲 110009		10×12×0.3 Spacer ×6 墊片 820024		5×8 Bearing ×8 軸承 120017		Bevel gear-long shaft ×1 傘齒長軸 310030		Rod guide ×4 避震器下蓋墊片 230038
	M3×14 Screw ×4 圓頭螺絲 110061		M3×5 Screw ×3 扁頭螺絲 110051		8×14 Ball bearing ×2 培林 120007		Wheel axle ×4 萬向接杆 310065		Rod guide cap ×4 避震器上蓋 210057		Damper adjuster ×4 避震器拉桿 820079
	M3×16 Screw ×1 圓頭螺絲 110086		M1.6×4 Screw ×2 有頭螺絲 110039		10×15 Ball bearing ×4 培林 120001		Steel CVD universal shaft 38.5 ×2 鋼製CVD傳動軸 38.5 820010		Damper cylinder ×4 避震器筒身 210071		Coil spring 32mm (silver) ×4 避震彈簧 32mm (銀) 210377-2
	M3×25 Screw ×1 圓頭螺絲 110076		M3×6 Screw ×2 有頭螺絲 110011		R-clip ×4 R形扣 110016		Steel CVD universal shaft 40 ×2 鋼製CVD傳動軸 40 820003		Diff. plate ×4 滾差壓板 310033		3×6 Threaded shaft ×1 拉桿 310002
	M2×8 Screw ×6 圓頭螺絲(半牙) 110045		M2.5×30 Screw ×2 有頭螺絲(半牙) 110053		Diff. spring ×2 滾差彈簧 310032						
	M2×6 Screw ×4 沉頭螺絲 110042		4.8 Copper hex ball ×12 銅製外六角球頭 310055								
	M3×8 Screw ×29 沉頭螺絲 110005		4.8×4.5 Copper ball connector ×8 銅製內六角球頭 310054								
	M3×12 Screw ×4 沉頭螺絲 110043		4.8×9 Ball connector ×2 內六角公球頭 310037								
	M4 Wheel nut ×4 輪框螺帽 110015		Alum. steering post ×2 轉向支柱 210183S								
	G-clip 10.0 ×4 G形扣 10.0 110055		Servo saver spring 1.8 ×1 緩衝器簧圈 310012								

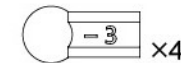
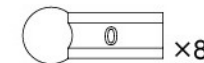
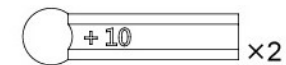


# PARTS



MST 2014

XXX lower deck  
XXX 底盤  
210099

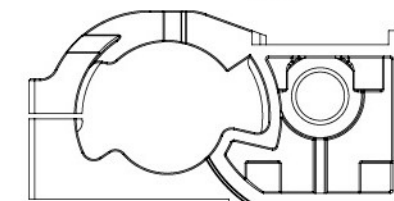
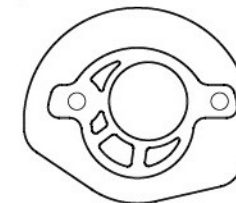


XXX-RA Adjuster set  
XXX-RA 拉桿組  
230035

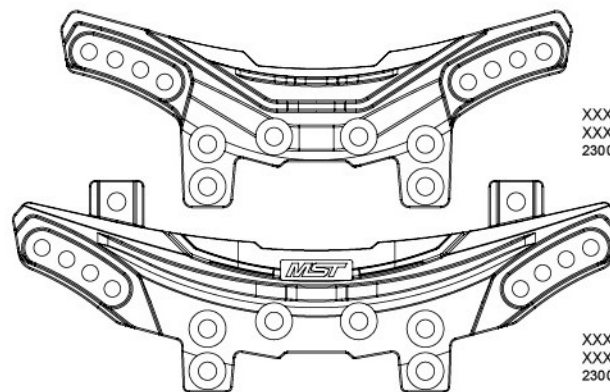
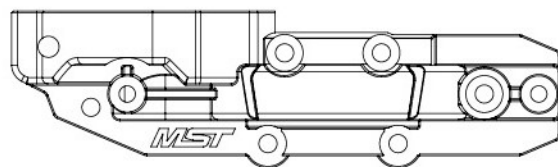


XXX Adjuster & servo mount set  
XXX 拉桿頭&伺服機座  
210095

XXX Eccentric motor mount set  
XXX 偏心式馬達座組  
210098

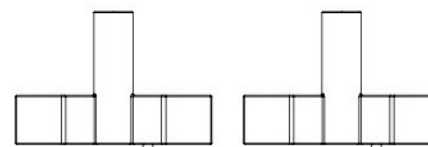
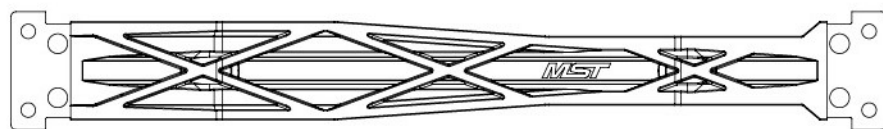


XXX Gear dust cover & brace  
XXX 齒箱防塵殼&補強架  
210097

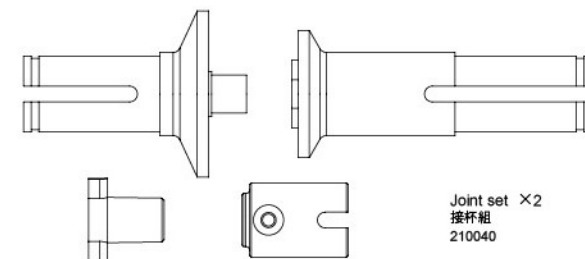


XXX Front damper stay  
XXX 前避震架  
230001

XXX Rear damper stay  
XXX 後避震架  
230002

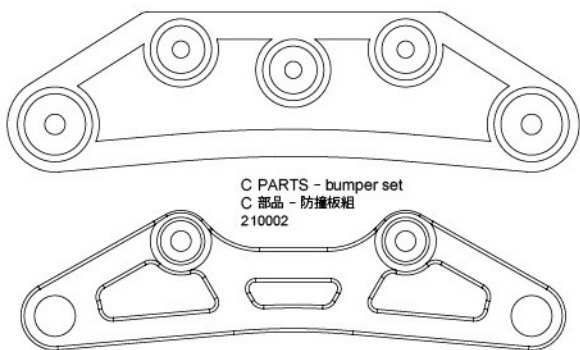


XXX Upper deck & battery strap  
XXX 二樓板&電池壓板組  
210100

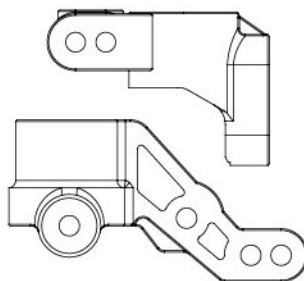


Joint set ×2  
接杆組  
210040

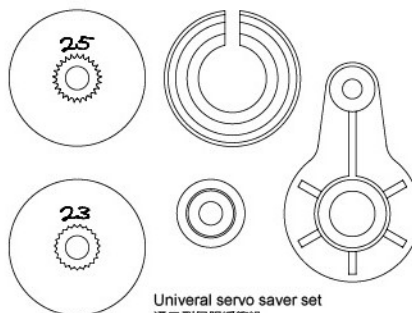
# PARTS



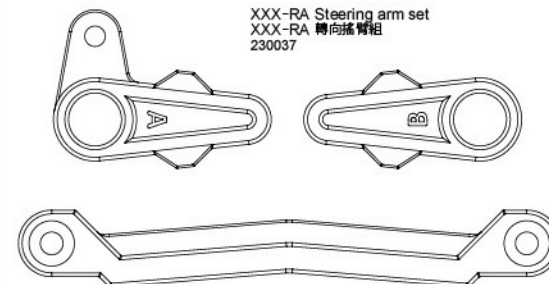
C PARTS - bumper set  
C 部品 - 防撞板組  
210002



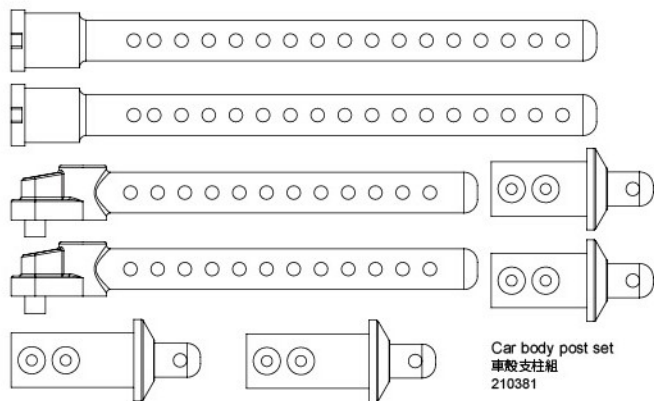
F & R Wheel hubs × 2  
前後輪座組  
210049



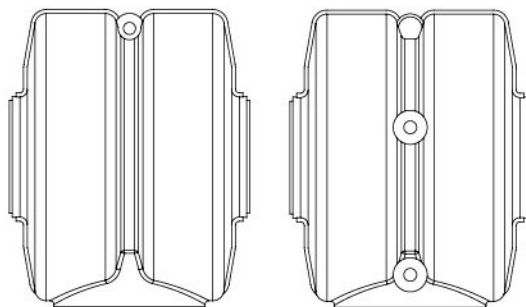
Universal servo saver set  
通用型伺服緩衝組  
820042



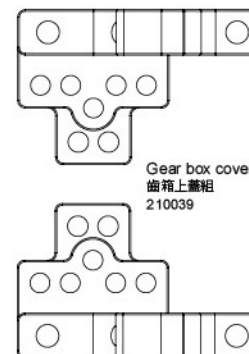
XXX-RA Steering arm set  
XXX-RA 轉向搖臂組  
230037



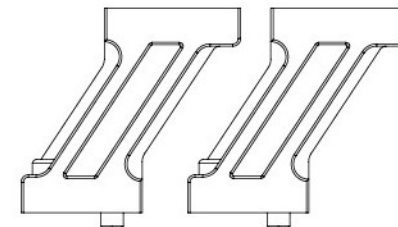
Car body post set  
車殼支柱組  
210381



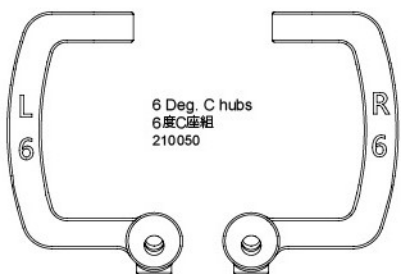
Bevel diff dust cover × 2  
傘差防塵殼  
210027



Gear box cover set × 2  
齒箱上蓋組  
210039



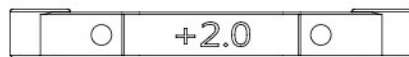
Vertical servo mount set  
立式伺服機座組  
210028



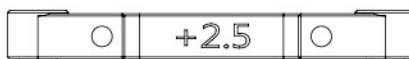
6 Deg. C hubs  
6度C座組  
210050



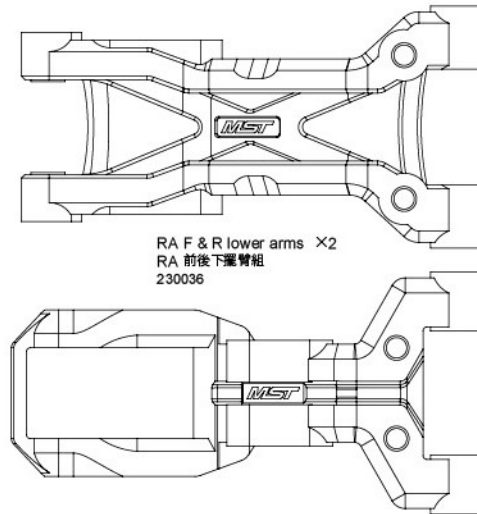
Lower arm mount -0.5 × 1  
下擺臂座 -0.5  
210083



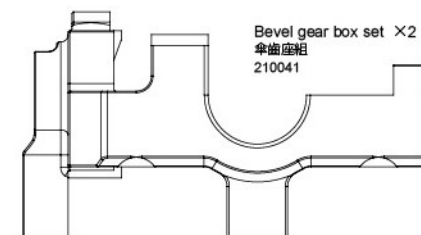
Lower arm mount +2.0 × 2  
下擺臂座 +2.0  
210085



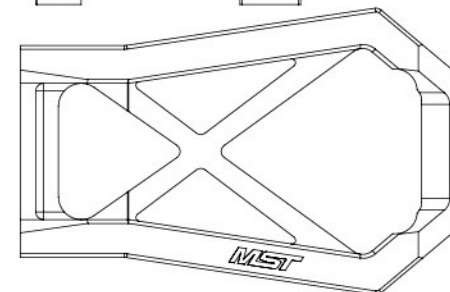
Lower arm mount +2.5 × 1  
下擺臂座 +2.5  
210086



RA F & R lower arms × 2  
RA 前後下擺臂組  
230036



Bevel gear box set × 2  
傘齒座組  
210041

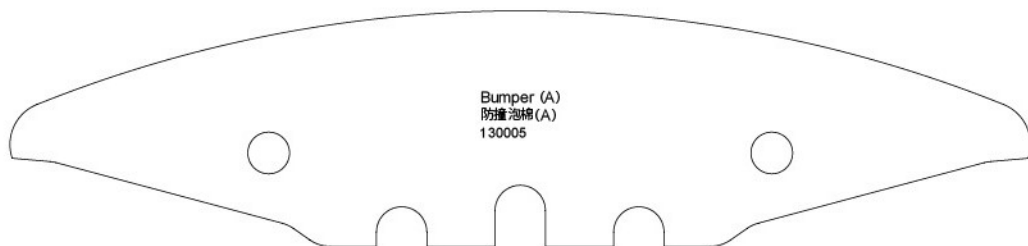


XXX Hex. wheel hubs & spacer set  
XXX 六角輪座&墊片組  
210046

# PARTS



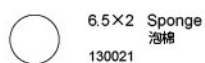
XXX Alum. propeller shaft  
XXX 鋁合金中傳軸  
210219R



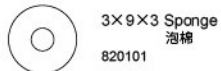
Bumper (A)  
防撞泡棉(A)  
130005



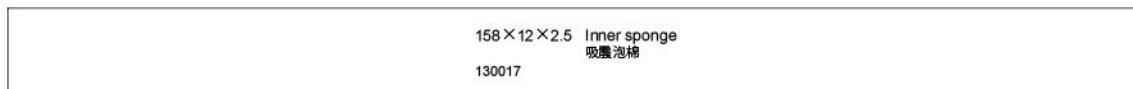
20×80×1 Sponge  
吸塵泡棉  
130034



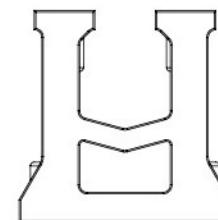
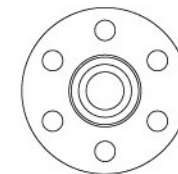
6.5×2 Sponge  
泡棉  
130021



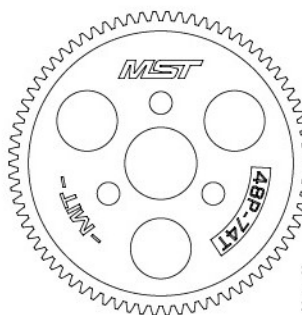
3×9×3 Sponge  
泡棉  
820101



158×12×2.5 Inner sponge  
吸塵泡棉  
130017



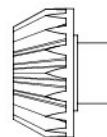
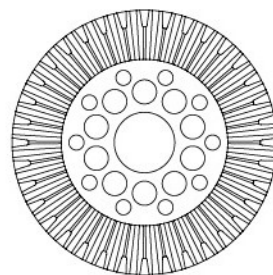
Gear holder steering rail set  
齒座搖臂滑軌組  
210042



Spur gear 48P-74T  
大齒齒 48P-74T  
210096



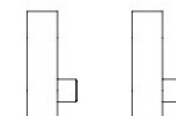
MST 48P Pinion Gear 17T~26T  
MST 48P 馬達齒 17~26TT  
148017~148020



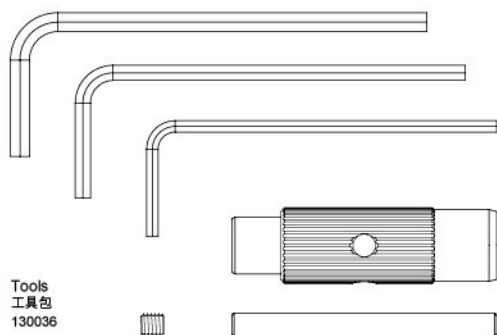
Bevel gear set 36-17T ×2  
傘齒組 36-17T  
210034



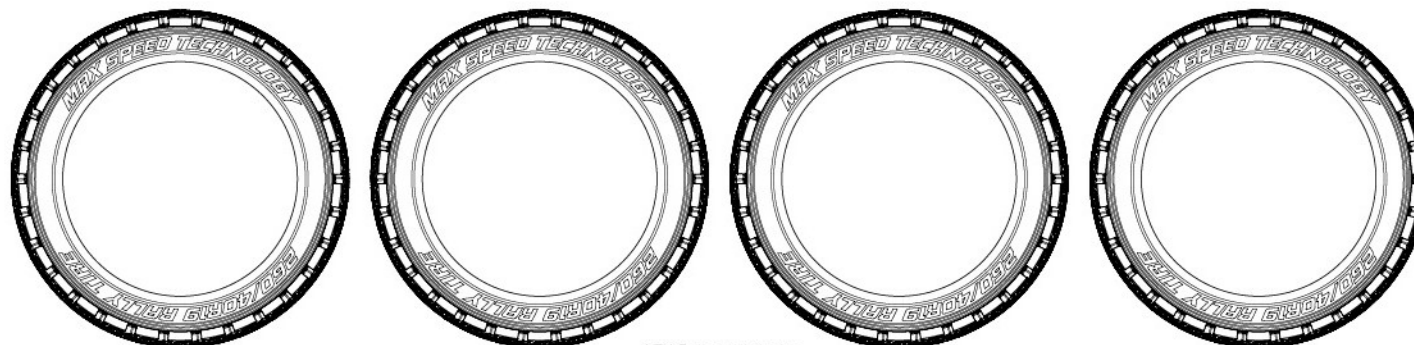
Shaft bush & spacer set (white)  
襯套墊片組 (白)  
210063W



Body post extension mount 4mm  
車殼柱延伸座 4mm  
210029



Tools  
工具包  
130036



LTX Rally realistic tire  
LTX 拉力像真胎  
101035

## PARTS CODE

101035	LTX Rally realistic tire (4)	110046	Shaft 2×9.8 (8)	210002	C PARTS-bumper set	210100	XXX Upper deck & battery strap	310037	Ball connector 4.8×9 (2)
110001	Round head screw M3×6 (10)	110047	Spacer 3×6×0.5 (8)	210027	Bevel diff dust cover	210183S	Alum. steering post (silver) (2)	310048	Arm shaft 2.5×46 (4)
110002	Round head screw M3×8 (10)	110051	Flat head screw M3×5 (5)	210028	Vertical servo mount set	210219R	XXX Alum. propeller shaft (red)	310053R	Spring retainer (red) (2)
110004	Round head screw M2×4 (6)	110053	Cap screw M2.5×30 (2)	210029	Body servo extension mount 4mm	210377-2	Hard coil spring 32mm (medium) (silver) (2)	310054	Copper ball connector 4.8×4.5 (4)
110005	Countersunk screw M3×8 (10)	110054	Set screw M3×8 (10)	210034	Bevel gear set 36-17			310055	Copper hex ball 4.8 (4)
110009	Set screw M3×20 (6)	110055	G-clip 10.0 (10)	210039	Gear box cover set	210381	Car body post set	310065	Wheel axle (2)
110011	Cap screw M3×6 (6)	110060	Set screw M3×2.6 (10)	210040	Joint set	230001	XXX Front damper stay	310076	Piston rod 30.5 (4)
110013	E-clip 2.0 (10)	110061	Round head screw M3×14 (6)	210041	Bevel gear box set	230002	XXX Rear damper stay	600002	XTR-02 2.4G Transceiver set
110015	Flange nut M4 (4)	110076	Round head screw M3×25 (6)	210042	Gear holder steering rail set	230011SG	Silver grey 5H wheel (+1) (4)	601002	XFS-15 ESC 70A (Li-Po protection)
110016	R-clip 6.0 (10)	110086	Round head screw M3×16 (6)	210046	XXX Hex. wheel hubs & spacer set	230012SG	Silver grey TE wheel (+1) (4)	601003	RTR Servo
110017	Shaft 2×9.8 (10)	120001	Ball bearing 10×15 (4)	210049	F & R Wheel hubs	230035	XXX-RA Adjuster set	601004	Receiver
110020	Steel ball 3.0 (13)	120002	Ball bearing 5×10 (4)	210050	6 Deg. C hubs	230036	RA F & R lower arms	601010	M54-26T brushed motor
110023	Set screw M3×16 (6)	120007	Ball bearing 8×14 (2)	210057	Damper cap set	230037	XXX-RA Steering arm set	820003	Steel CVD universal shaft 40 (40°) (2)
110026	Round head screw M3×10 (10)	120008	Thrust bearing 2.5×6	210063W	Shaft bush & spacer set (white)	230038	Piston spacer set		
110029	Round head screw M3×12 (6)	120017	Bearing 5×8 (4)	210071	Damper cylinder (2)	310002	Threaded shaft 3×60	820010	Steel CVD universal shaft 38.5 (40°) (2)
110032	Set screw M3×10 (6)	130001	Damper O-ring P3 (red) (10)	210083	Lower arm mount -0.5	310008	Piston rod (4)		
110035	Set screw M3×3 (6)	130005	Bumper (A)	210085	Lower arm mount +2.0	310012	Servo saver spring 1.8mm (medium)	820020	Spacer 5×7×0.3 (8)
110039	Cap screw M1.6×4 (10)	130017	Inner sponge (8)	210086	Lower arm mount +2.5	310030	Bevel gear - long arbor	820024	Spacer 10×12×0.3 (8)
110042	Countersunk screw M2×6 (6)	130021	Sponge 6.5×2 (10)	210095	XXX Adjuster & servo mount set	310031	Bevel gear - short arbor	820030	Cross joint (2)
110043	Countersunk screw M3×12 (10)	130023	O-ring P3 (black) (10)	210096	Spur gear 48P-74T	310032	Diff. screw & spring set	820042	Universal servo saver set
110044	Round head screw M2×6 (6)	130032	Damper cap O-ring (10)	210097	XXX Gear dust cover & brace	310033	Diff. plate (2)	820079	Damper plastic maintenance set (2)
110045	Round head screw M2×8 (partial thread) (6)	148017~148026	MST 48P Pinion gear 17~26T	210098	XXX Eccentric motor mount set	310035	Lower arm shaft 2.6×22 & 25 (each one pair)	820101	Adjuster dust cover sponge

## 部品編號

101035	LTX 拉力像真胎 (4)	110046	插銷 2×9.8 (剖溝) (8)	210002	C PARTS-防撞板組	210099	XXX 底座	310037	內六角球頭 4.8×9 (2)
110001	六角半圓頭螺絲 M3×6 (10)	110047	墊片 3×6×0.5 (8)	210027	傘差防塵殼	210100	XXX 二樓板 & 電池壓板組	310048	擺臂插銷 2.5×46 (4)
110002	六角半圓頭螺絲 M3×8 (10)	110051	十字扁頭螺絲 M3×5 (5)	210028	立式伺服機座組	210183S	轉向支柱 (銀) (2)	310053R	避震器調整環 (紅) (2)
110004	六角半圓頭螺絲 M2×4 (6)	110053	六角有頭螺絲 M2.5×30 (半牙) (2)	210029	車殼柱延伸座 4mm	210219R	XXX 鋁合金中傳軸 (紅)	310054	銅製內六角球頭 4.8×4.5 (4)
110005	六角沉頭螺絲 M3×8 (10)	110054	六角止付螺絲 M3×8 (10)	210034	傘齒組 36-17	210377-2	硬避震彈簧 32mm (中) (銀) (2)	310055	銅製外六角球頭 4.8 (4)
110009	六角止付螺絲 M3×20 (6)	110055	G扣 10.0 (10)	210039	齒箱上蓋組	210381	車殼支柱組	310065	鋼製接杆 (2)
110011	六角有頭螺絲 M3×6 (半牙) (6)	110060	六角止付螺絲 M3×2.6 (10)	210040	接杆組	230001	XXX 前避震架	310076	避震軸心 30.5 (4)
110013	E扣 2.0 (10)	110061	六角半圓頭螺絲 M3×14 (6)	210041	傘齒座組	230002	XXX 後避震架	600002	XTR-02 2.4G 遙控器組
110015	凸緣螺帽 M4 (4)	110076	六角半圓頭螺絲 M3×25 (6)	210042	齒座搖臂滑軌組	230011SG	銀灰5H輪框 (+1) (4)	601002	XFS-15 電子變速器 70A (鋰電保護)
110016	R銷 6.0 (10)	110086	六角半圓頭螺絲 M3×16 (6)	210046	XXX 六角輪座 & 墊片組	230012SG	銀灰TE輪框 (+1) (4)	601003	RTR 伺服機
110017	插銷 2×9.8 (10)	120001	培林 10×15 (4)	210049	前後輪座組	230035	XXX-RA 拉桿組	601004	接收機
110020	差速鋼珠 3.0 (13)	120002	培林 5×10 (4)	210050	6度C座組	230036	RA 前後下擺臂組	601010	M54-26T碳刷馬達
110023	六角止付螺絲 M3×16 (6)	120007	培林 8×14 (2)	210057	避震器上下蓋組	230037	XXX-RA轉向搖臂組	820003	鋼製CVD傳動軸 40 (40°) (2)
110026	六角半圓頭螺絲 M3×10 (10)	120008	止推培林 2.5×6	210063W	襯套墊片組 (白)	230038	避震活塞墊片組	820010	鋼製CVD傳動軸 38.5 (40°) (2)
110029	六角半圓頭螺絲 M3×12 (6)	120017	軸承 5×8 (4)	210071	避震器筒身 (2)	310002	拉桿 3×60	820020	墊片 5×7×0.3 (8)
110032	六角止付螺絲 M3×10 (6)	130001	阻尼器O環 P3 (紅) (10)	210083	下擺臂座 -0.5	310008	避震軸心 (4)	820024	墊片 10×12×0.3 (8)
110035	六角止付螺絲 M3×3 (6)	130005	防撞泡棉 (A)	210085	下擺臂座 +2.0	310012	緩衝器簧圈 1.8mm (中)	820030	連接軸 (2)
110039	六角有頭螺絲 M1.6×4 (10)	130017	吸震泡棉 (8)	210086	下擺臂座 +2.5	310030	傘齒長軸	820042	通用型伺服緩衝組
110042	六角沉頭螺絲 M2×6 (6)	130021	泡棉 6.5×2 (10)	210095	XXX 拉桿 & 伺服機座	310031	傘齒短軸	820079	避震膠件包 (2)
110043	六角沉頭螺絲 M3×12 (10)	130023	O環 P3 (黑) (10)	210096	大齒盤 48P-74T	310032	滾差彈簧螺絲組	820101	拉桿頭防塵泡棉
110044	六角半圓頭螺絲 M2×6 (6)	130032	避震上蓋O環 (10)	210097	XXX 齒箱防塵殼 & 補強架	310033	滾差壓板 (2)		
110045	六角半圓頭螺絲 M2×8 (半牙) (6)	148017~148026	MST 48P 馬達齒 17~26T	210098	XXX 偏心式馬達座組	310035	下擺臂插銷 2.6×22 & 25 (各一對)		

026109