

**MST**  
MAX SPEED TECHNOLOGY



ASSEMBLY KIT



# TCR

1 / 10 RC 2WD HIGH PERFORMANCE RACING CAR

## INSTRUCTION MANUAL

ON ROAD USE ONLY

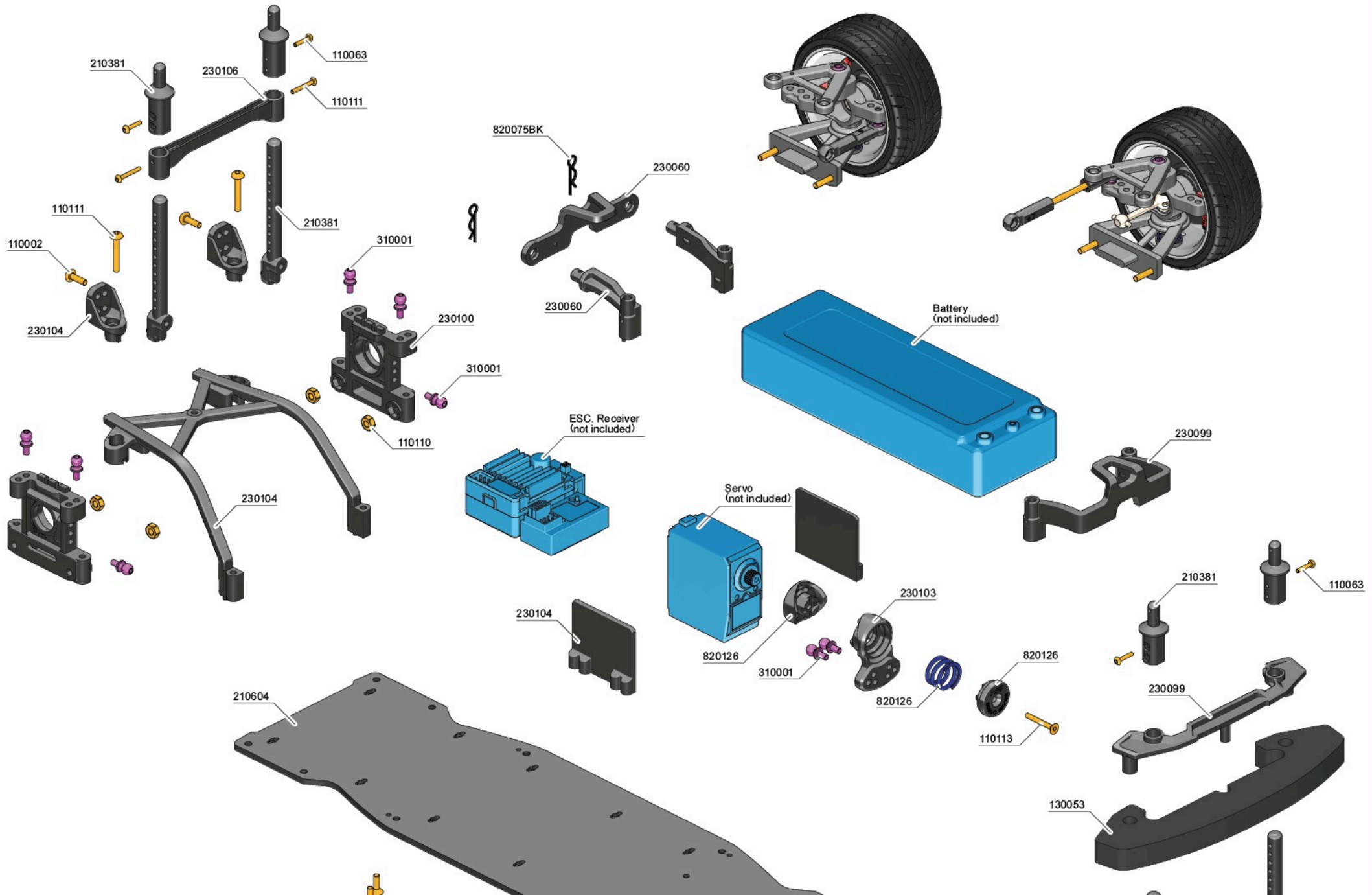
SPECIFICATION: 1:10 Racing Car  
WHEELBASE: 245 / 251 / 257mm  
WIDTH: 184mm  
DRIVE MODE: FF/MR/RR  
CASTER: Adjustable 5 degrees  
FULL BALL BEARING

[www.rc-mst.com](http://www.rc-mst.com)

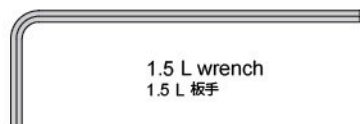
\* SPECIFICATION ARE SUBJECT TO CHANGE WITHOUT NOTICE

Please add color remark for ( ) part number.  
 e.g. 210123R for Red (210123)  
 請增加顏色標示在 ( ) 編號  
 例: 210123R for 紅色 (210123)

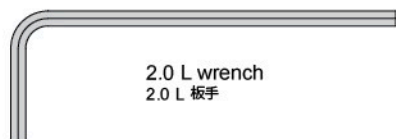
Color 顏色	Remark 標示
Red 紅 / BACK 黑	R / BK



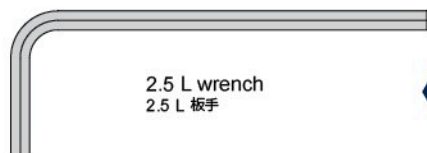




1.5 L wrench  
1.5 L 板手



2.0 L wrench  
2.0 L 板手



2.5 L wrench  
2.5 L 板手

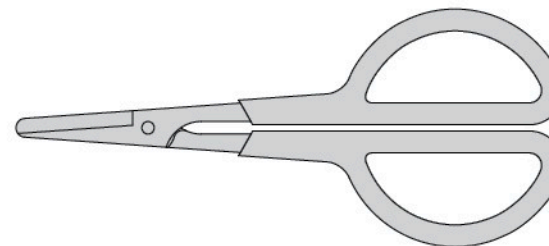


5.5 & 7.0 alum. wrench  
5.5 & 7.0 套筒板手

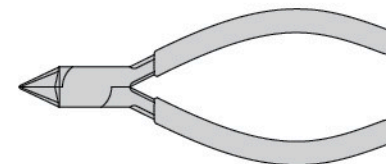
### NECESSARY TOOLS FOR ASSEMBLY 工具需求 (NOT INCLUDED IN KIT) [另購]



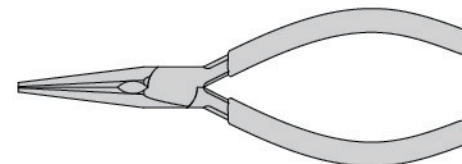
Hobby knife  
美工刀



Scissors  
剪刀



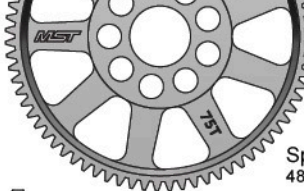






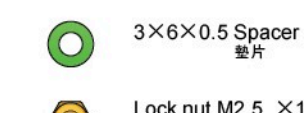
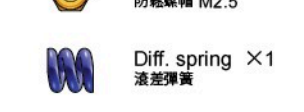



Side cutter  
斜口鉗

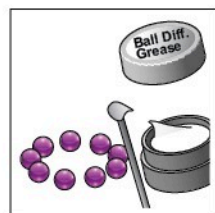
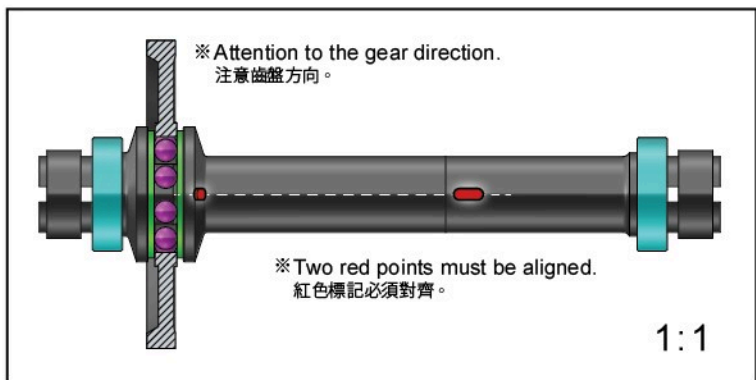


Needle nose pliers  
尖嘴鉗

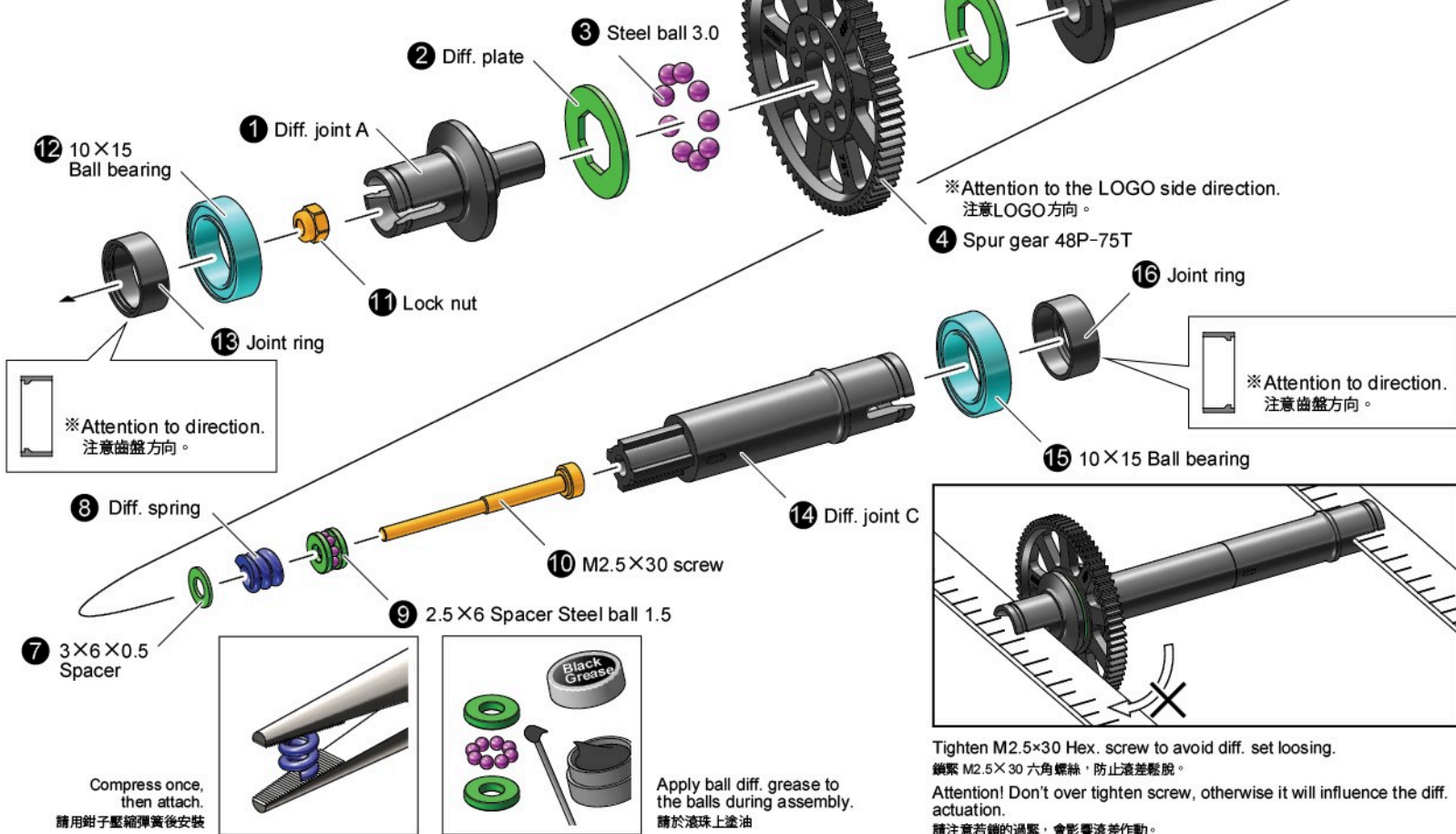
Please follow the assembling figures and instructions closely  
for your [TCR] best performance!  
請依照說明書圖示步驟安裝以發揮 [TCR] 最好效能!

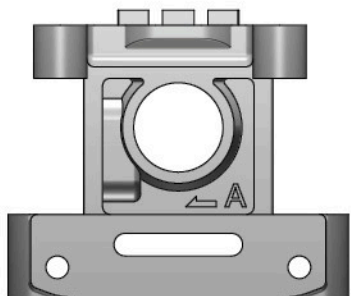
-  Steel ball 1.5 × 8  
鋼珠 1.5
-  Steel ball 3.0 × 9  
鋼珠 3.0
-  Spur gear 48P-75T × 1  
48P-75T 滾差大齒盤
-  Diff. joint B × 1  
滾差接杯 B
-  Diff. joint A × 1  
滾差接杯 A
-  Diff. joint C × 1  
滾差接杯 C
-  Diff. plate × 2  
滾差壓板
-  2.5×6 Spacer × 2  
鋼板
-  10×15 Ball bearing × 2  
培林
-  Joint ring × 2  
鋁合金接杯環
-  3×6×0.5 Spacer × 1  
墊片
-  Lock nut M2.5 × 1  
防鬆螺帽 M2.5
-  Diff. spring × 1  
滾差彈簧
-  M2.5×30 Cap screw × 1  
有頭螺絲(半牙)

STEP 1 Diff. set assembly  
後擺臂組裝

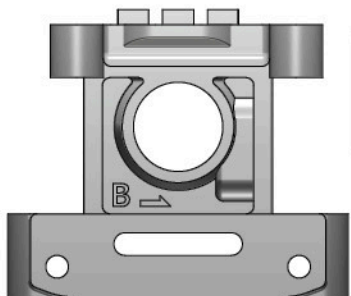


Apply ball diff. grease to the differential during assembly.  
請於滾珠上塗油

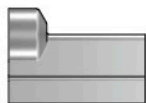




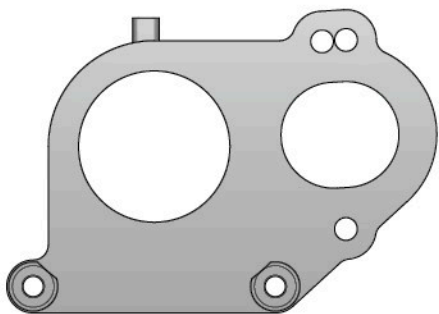
Bulkhead A ×1  
側板 A



Bulkhead B ×1  
側板 B



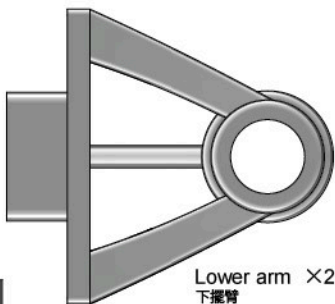
Steering block mount ×1  
轉向擋塊



Motor mount ×1  
馬達座



Upper arm ×2  
上擺臂



Lower arm ×2  
下擺臂

STEP 1 Front arm assembly  
前擺臂組裝



4 Upper arm

2 Steering block mount

1 Bulkhead A

※ Note the mark is on the upside.  
注意記號位置。

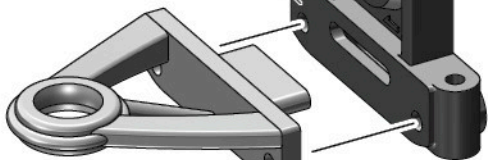
3 4.8×4.5 Ball connector

5 Diff. set

6 Motor mount



8 M3×20



7 Lower arm



※ Note the mark is on the upside.  
注意記號位置。

4 Upper arm

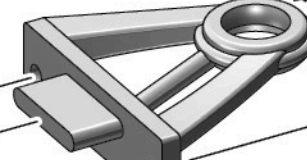
2 Steering block mount

3 4.8×4.5 Ball connector

1 Bulkhead B

7 M3×12

6 M3 Nut



5 Lower arm

STEP 2 Attaching front arm  
安裝前擺臂

M3 Nut ×2  
M3 螺帽

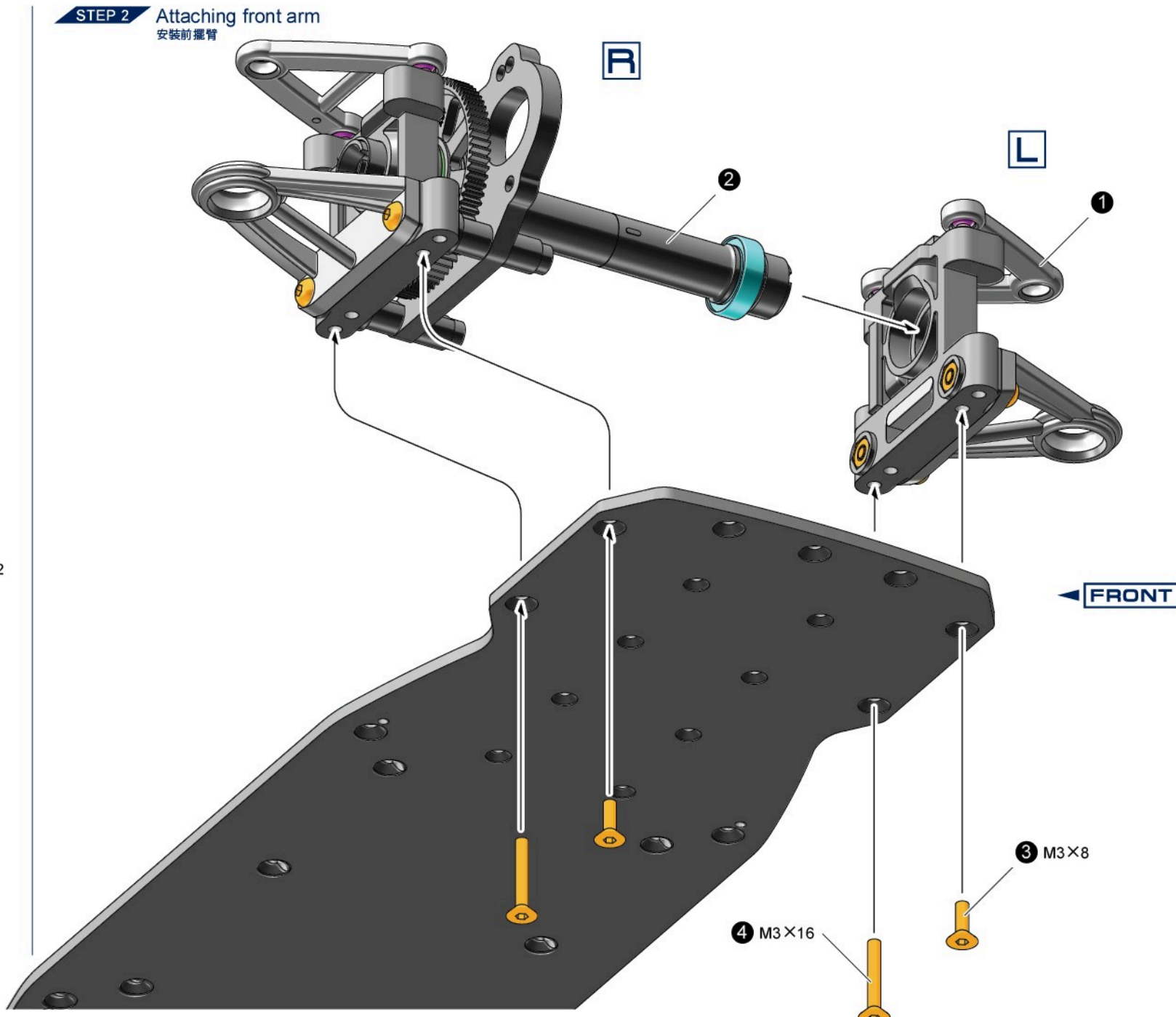
M3×8 screw ×2  
沉頭螺絲

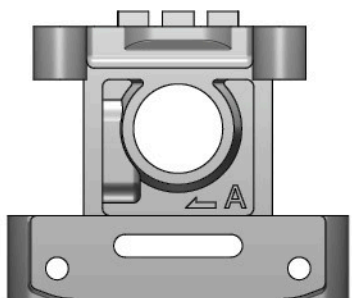
M3×12 screw ×2  
圓頭螺絲

M3×16 screw ×2  
沉頭螺絲

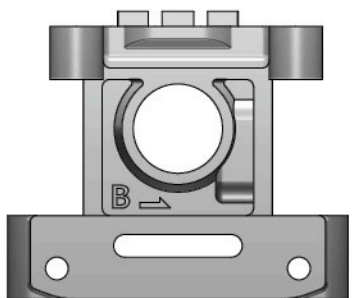
M3×20 screw ×2  
圓頭螺絲

4.8×4.5 Ball connector ×4  
球頭螺絲





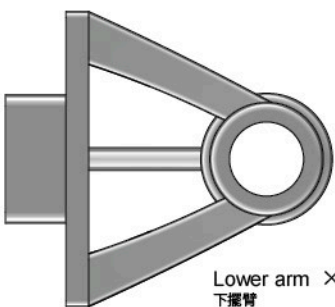
Bulkhead A ×1  
側板 A



Bulkhead B ×1  
側板 B



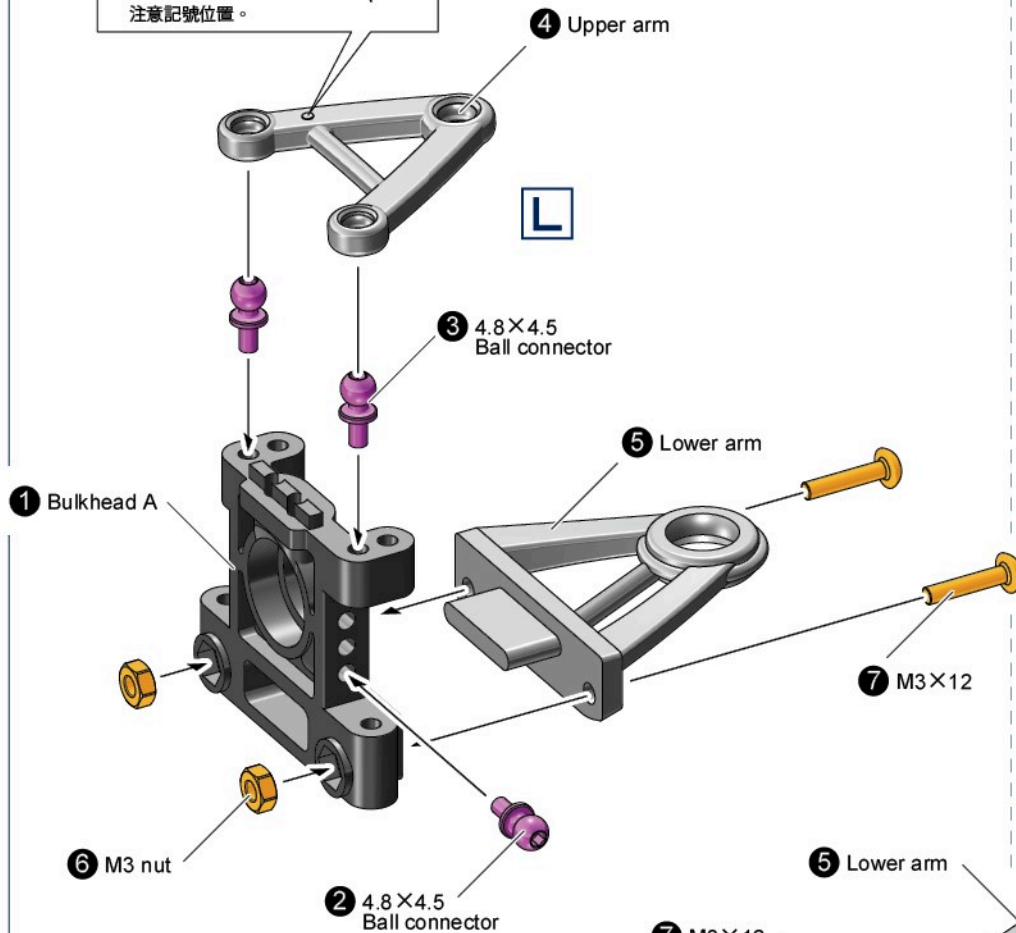
Upper arm ×2  
上擺臂



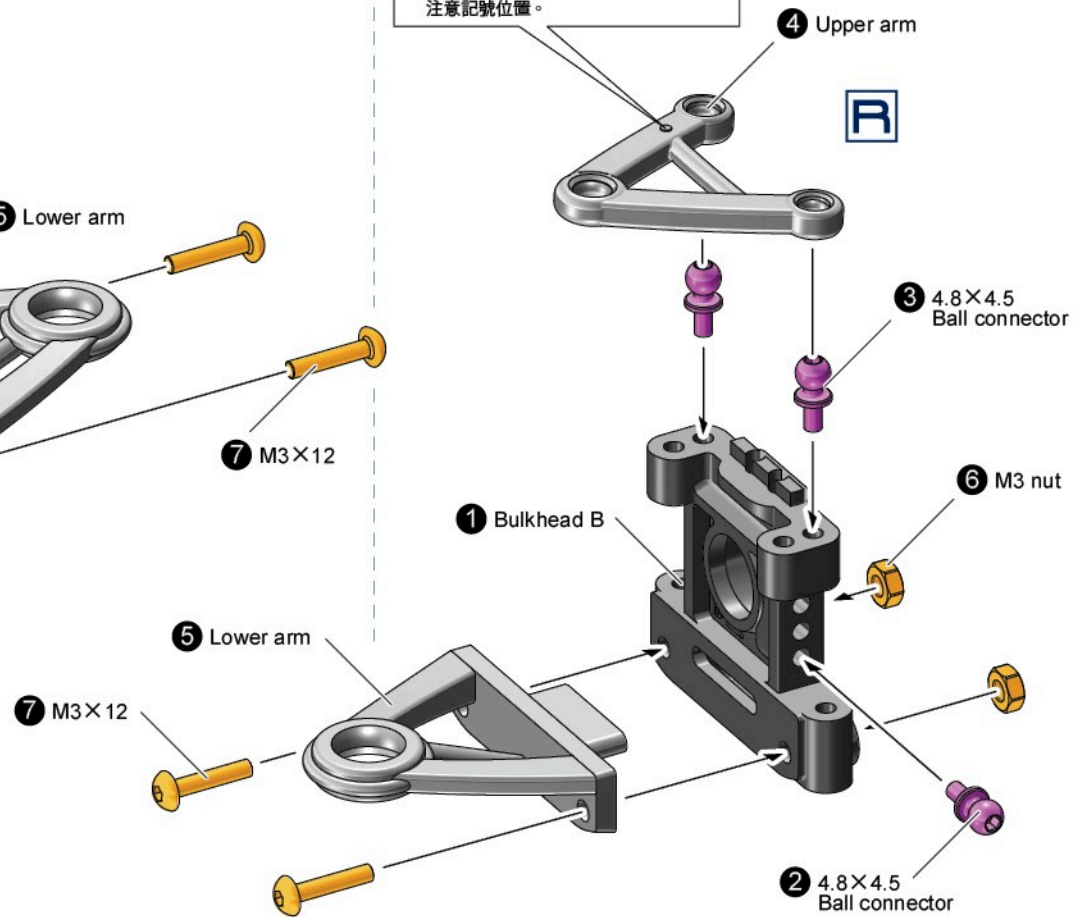
Lower arm ×2  
下擺臂

STEP 1 Rear arm assembly  
後擺臂組裝

※ Note the mark is on the upside.  
注意記號位置。







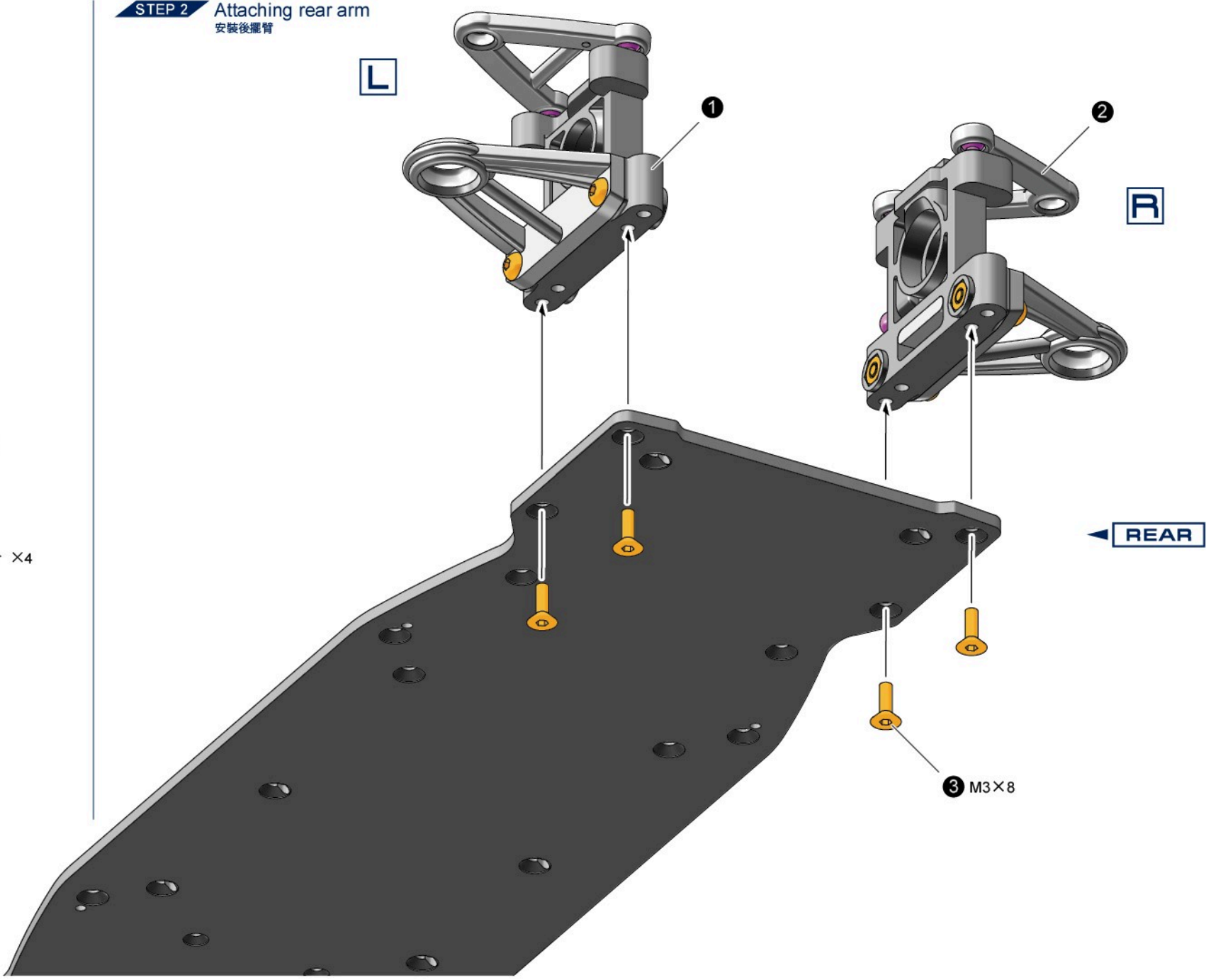
※ Note the mark is on the upside.  
注意記號位置。





**STEP 2** Attaching rear arm  
安裝後擺臂

-  M3 Nut ×4  
M3螺帽
-  M3×8 screw ×4  
沉頭螺絲
-  M3×12 screw ×4  
圓頭螺絲
-  4.8×4.5 Ball connector ×4  
球頭螺絲





Servo mount ×2  
伺服機座



Servo horn ×1  
伺服片



Servo saver mount 23T ×1  
緩衝伺服座 23T



Servo saver mount 25T ×1  
緩衝伺服座 25T



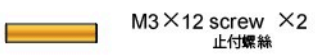
Servo saver cover ×1  
伺服緩衝上蓋



4.8 Adjuster +7 ×1  
拉桿頭



4.8 Adjuster ×1  
拉桿頭



M3×12 screw ×2  
止付螺絲



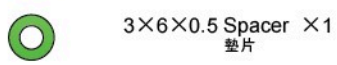
M3×30 screw ×2  
止付螺絲



4.8×4.5 Ball connector ×2  
球頭螺絲

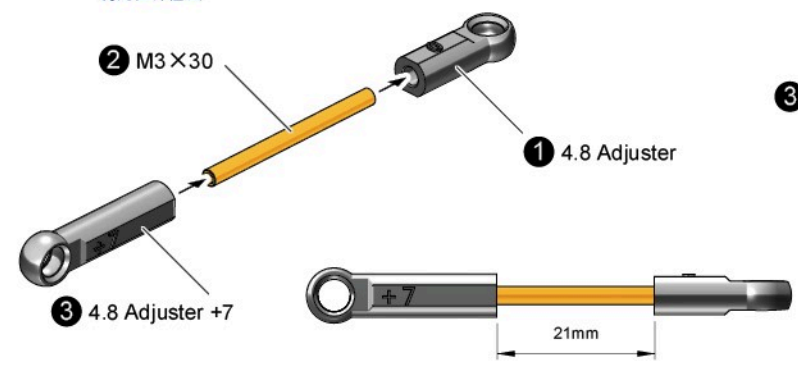


Servo saver spring ×1  
緩衝彈簧 9.0 (軟-紅)

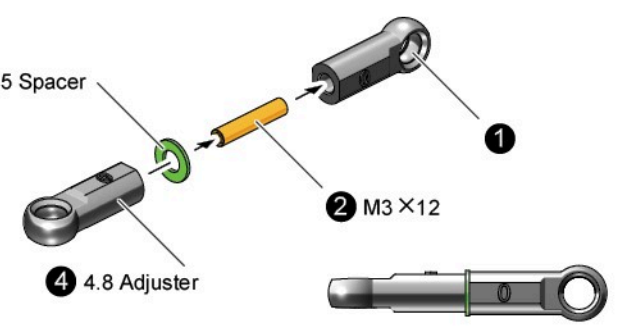


3×6×0.5 Spacer ×1  
墊片

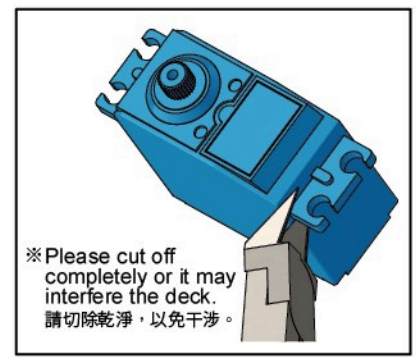
**STEP 1** Steering adjuster assembly  
轉向拉桿組裝



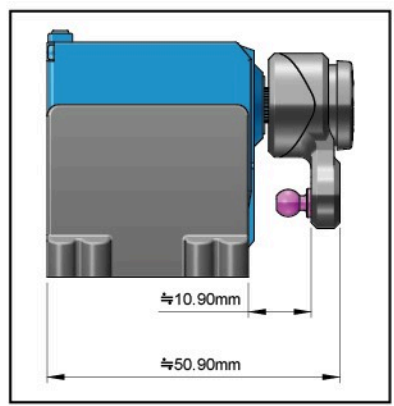
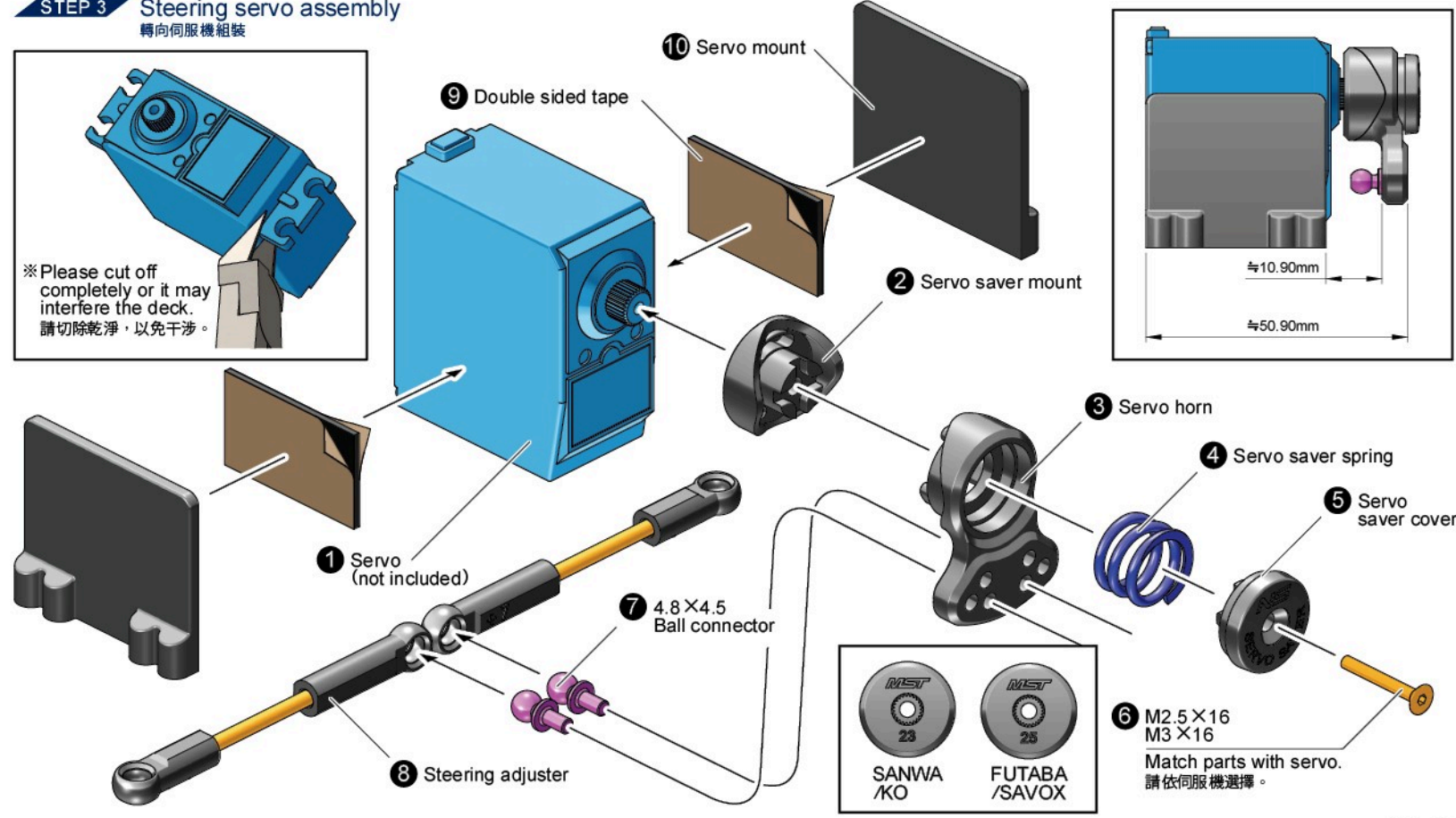
**STEP 2** Rear adjuster assembly  
後拉桿組裝



**STEP 3** Steering servo assembly  
轉向伺服機組裝



※ Please cut off completely or it may interfere the deck.  
請切除乾淨，以免干涉。



Match parts with servo.  
請依伺服機選擇。

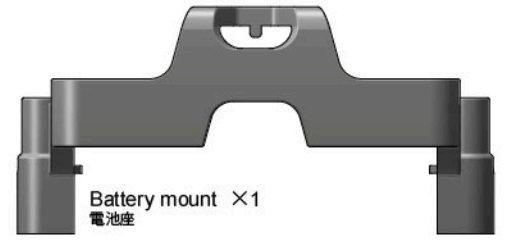
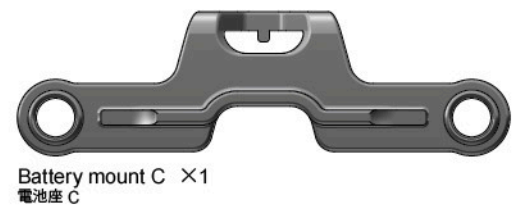
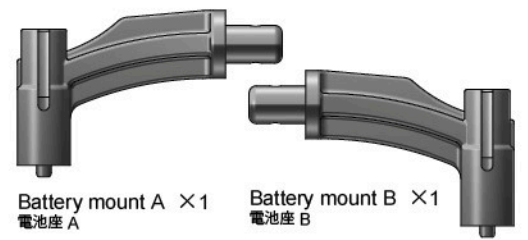
M2.5×6 screw ×4  
沉頭螺絲

M3×8 screw ×4  
沉頭螺絲

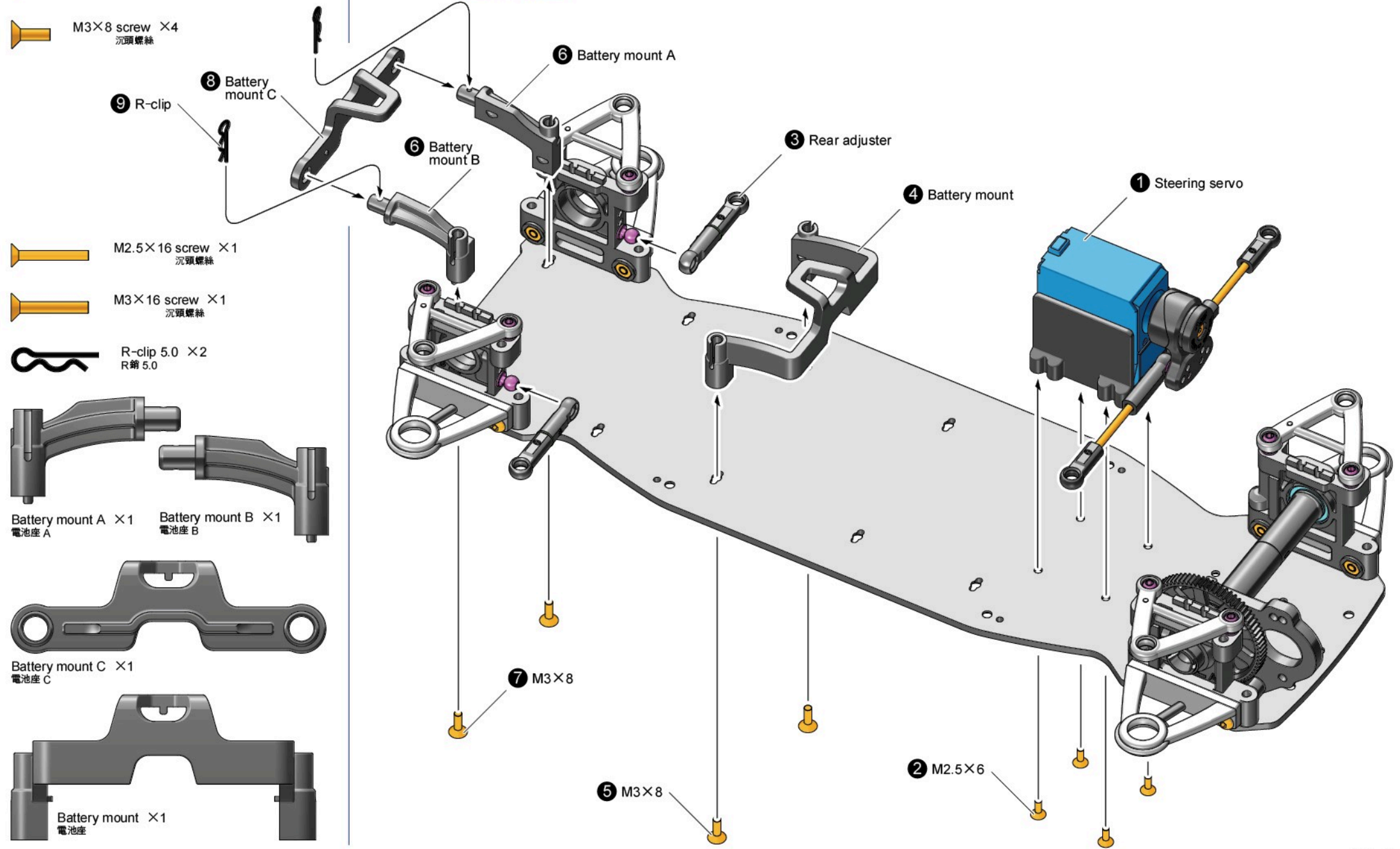
M2.5×16 screw ×1  
沉頭螺絲

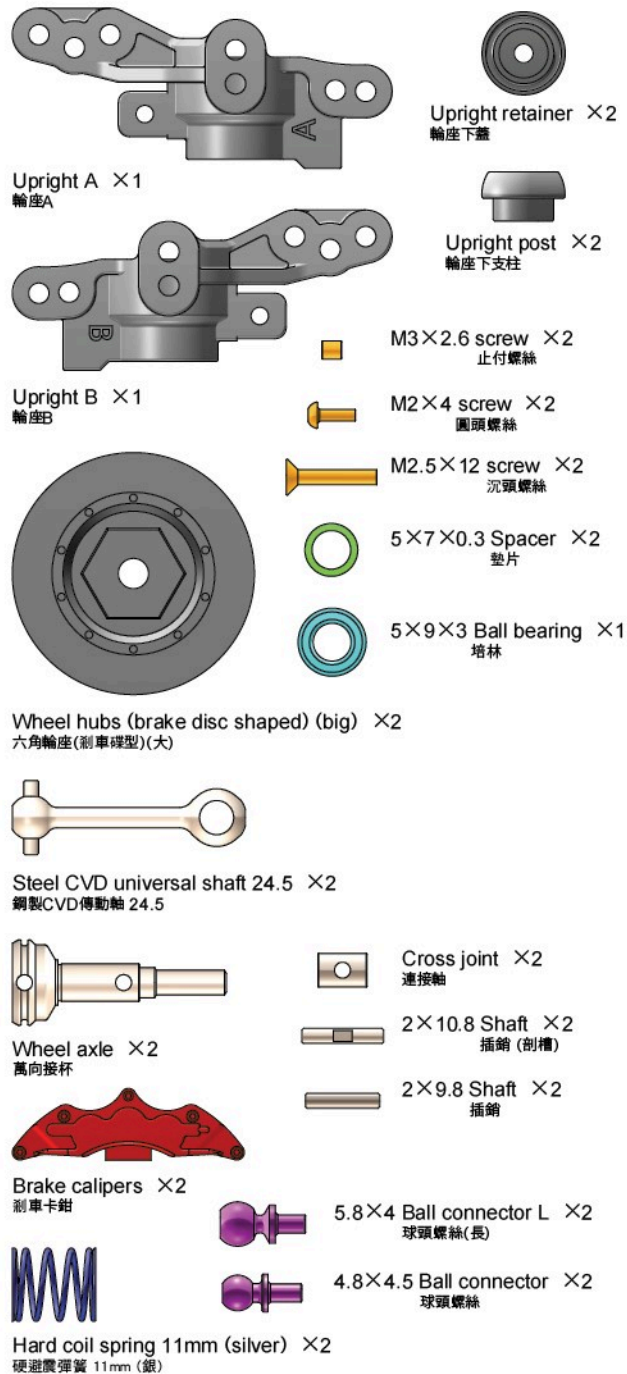
M3×16 screw ×1  
沉頭螺絲

R-clip 5.0 ×2  
R第5.0

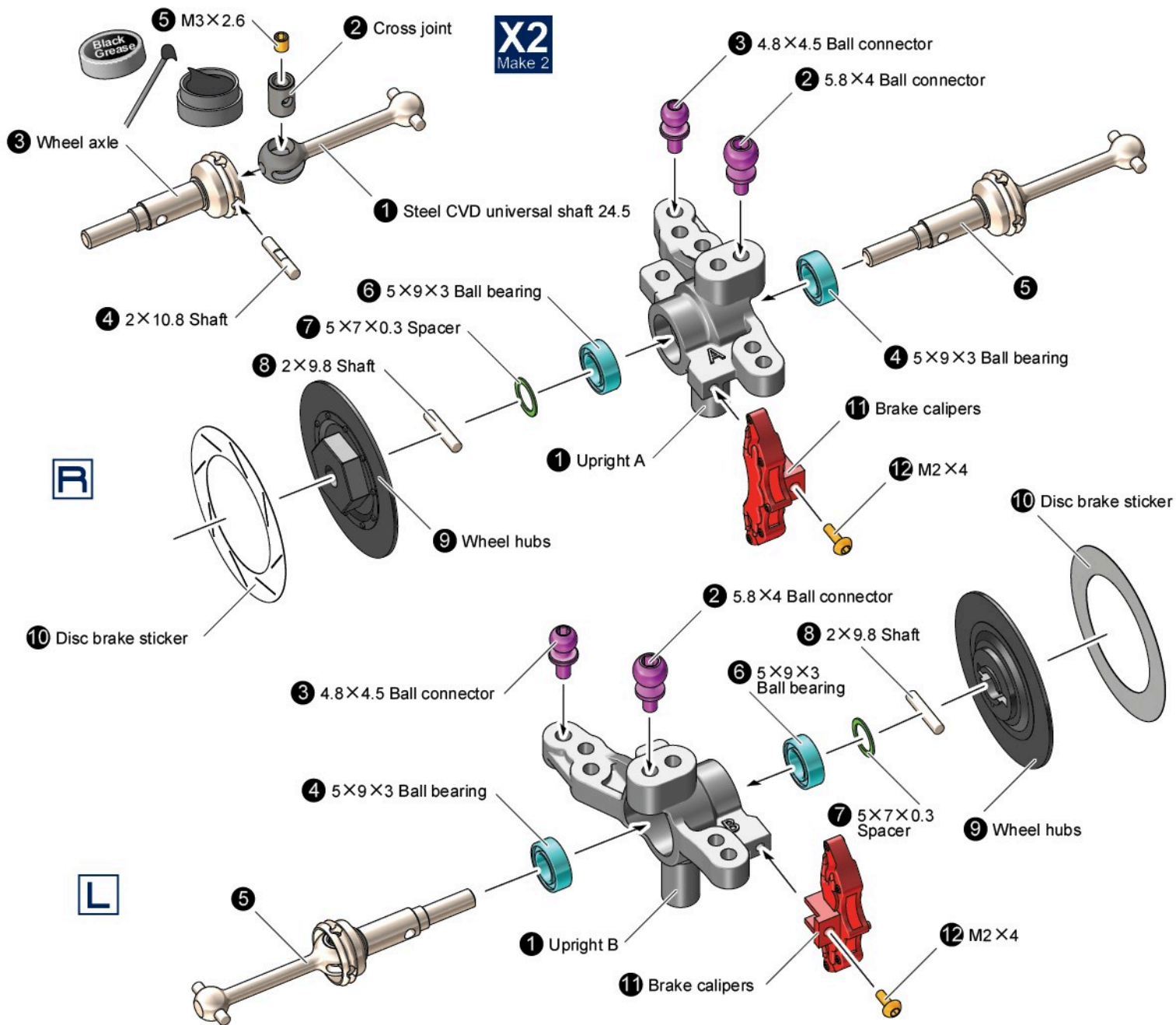


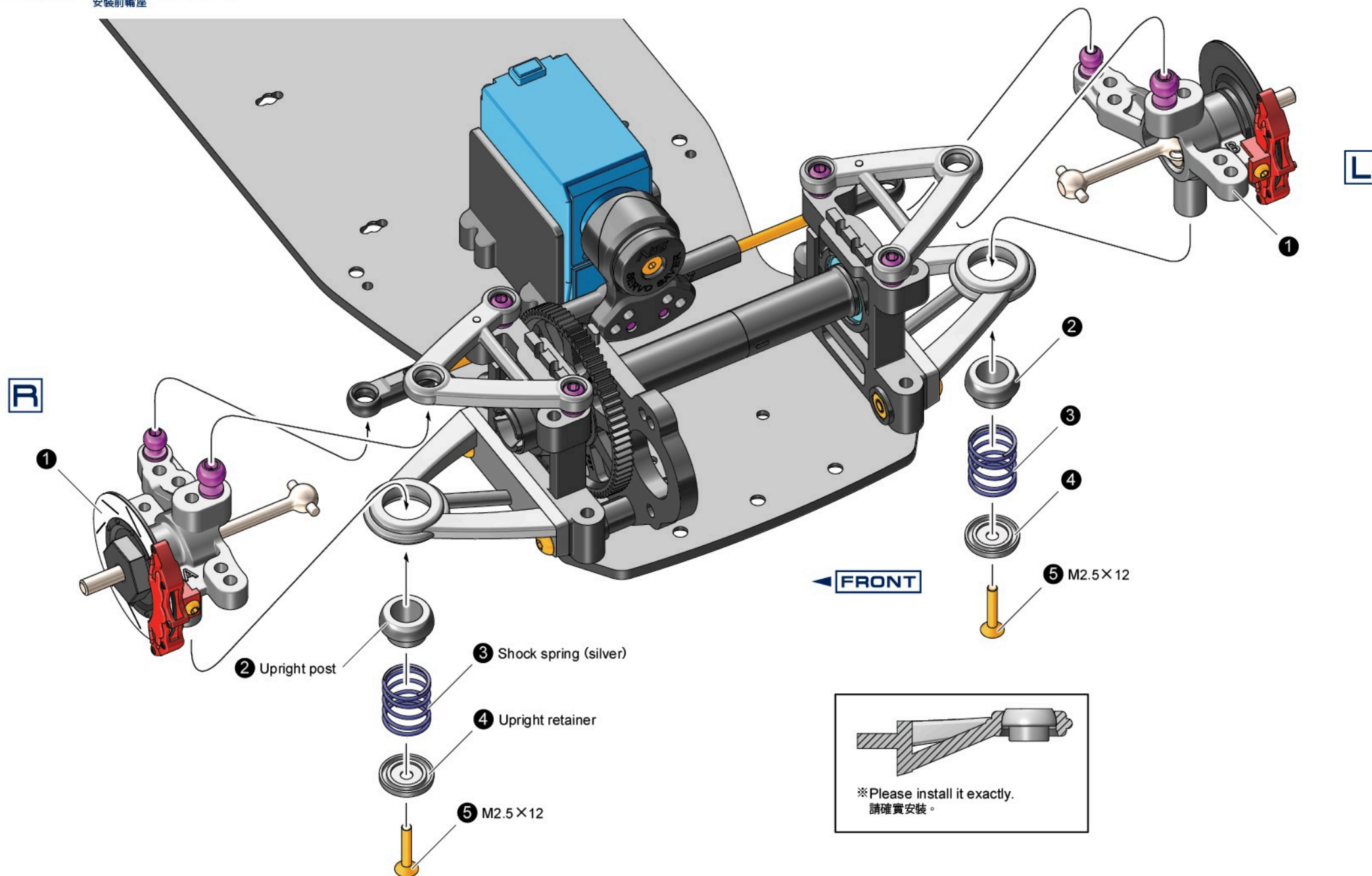
**STEP 4** Attaching steering servo, battery mount  
安裝轉向伺服機電池座

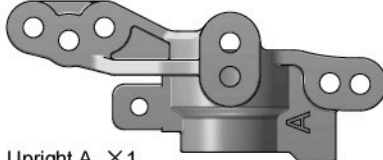
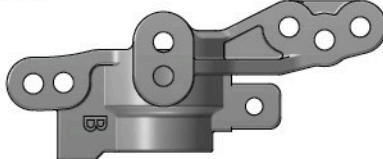
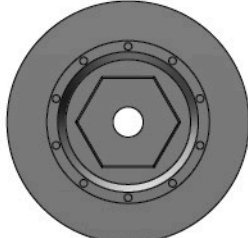


















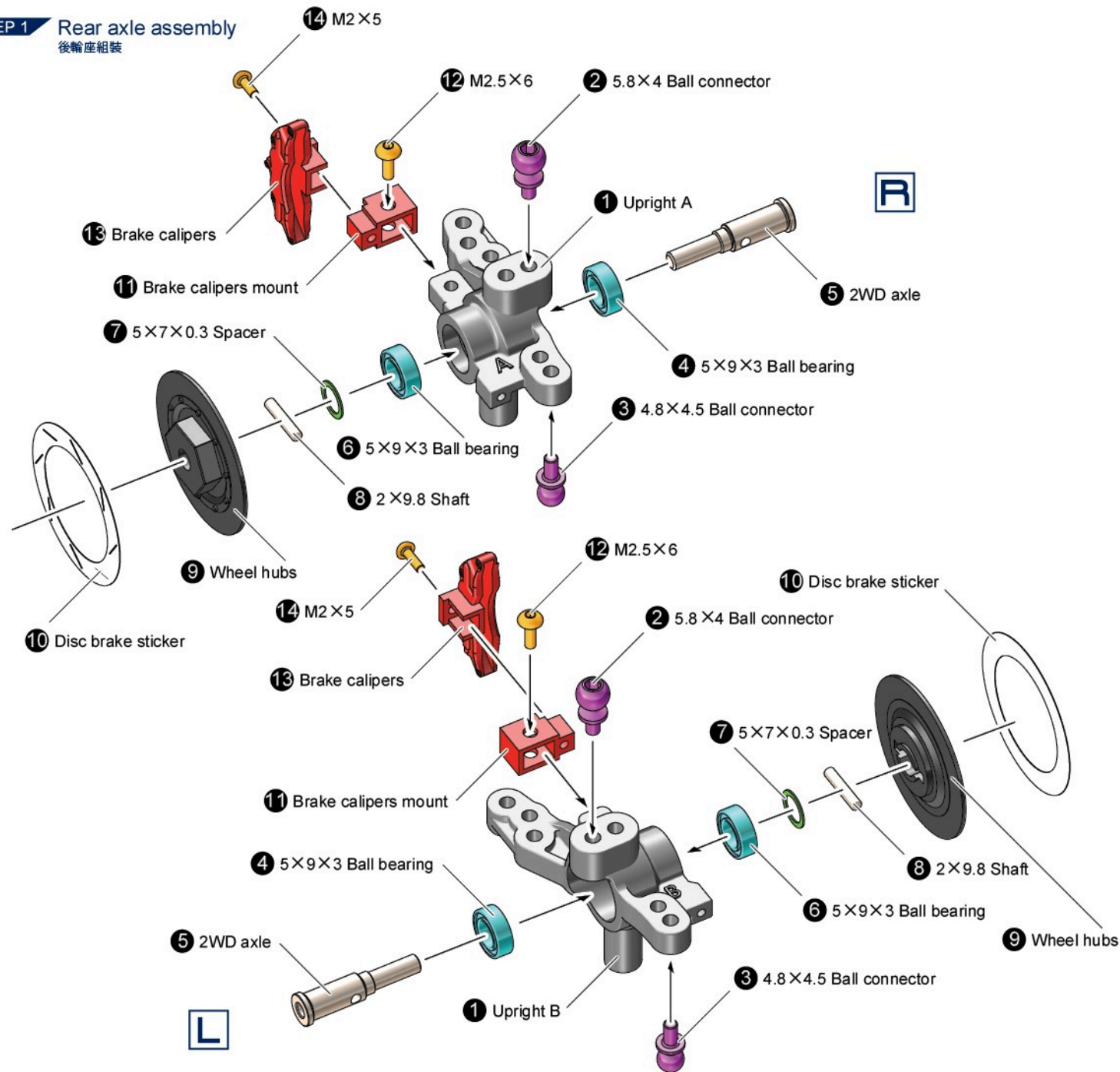
**STEP 1** Front axle assembly  
前輪座組裝



STEP 2 Attaching front axle  
安裝前輪座

-  Upright A ×1  
輪座A
-  Upright B ×1  
輪座B
-  Wheel hubs (brake disc shaped) (small) ×2  
六角輪座(剎車碟型)(小)
-  2WD axle ×2  
二驅輪軸
-  Brake calipers ×2  
剎車卡鉗
-  5.8×4 Ball connector L ×2  
球頭螺絲(長)
-  4.8×4.5 Ball connector ×2  
球頭螺絲
-  Brake calipers mount ×2  
卡鉗座
-  5×7×0.3 Spacer ×2  
墊片
-  5×9×3 Ball bearing ×1  
培林
-  Soft coil spring 11mm (green) ×2  
軟避震彈簧 11mm (綠)
-  Upright retainer ×2  
輪座下蓋
-  Upright post ×2  
輪座下支柱
-  M2×5 screw ×2  
圓頭螺絲
-  M2.5×6 screw ×2  
圓頭螺絲
-  M2.5×12 screw ×2  
沉頭螺絲
-  2×9.8 Shaft ×2  
插銷

**STEP 1** Rear axle assembly  
後輪座組裝



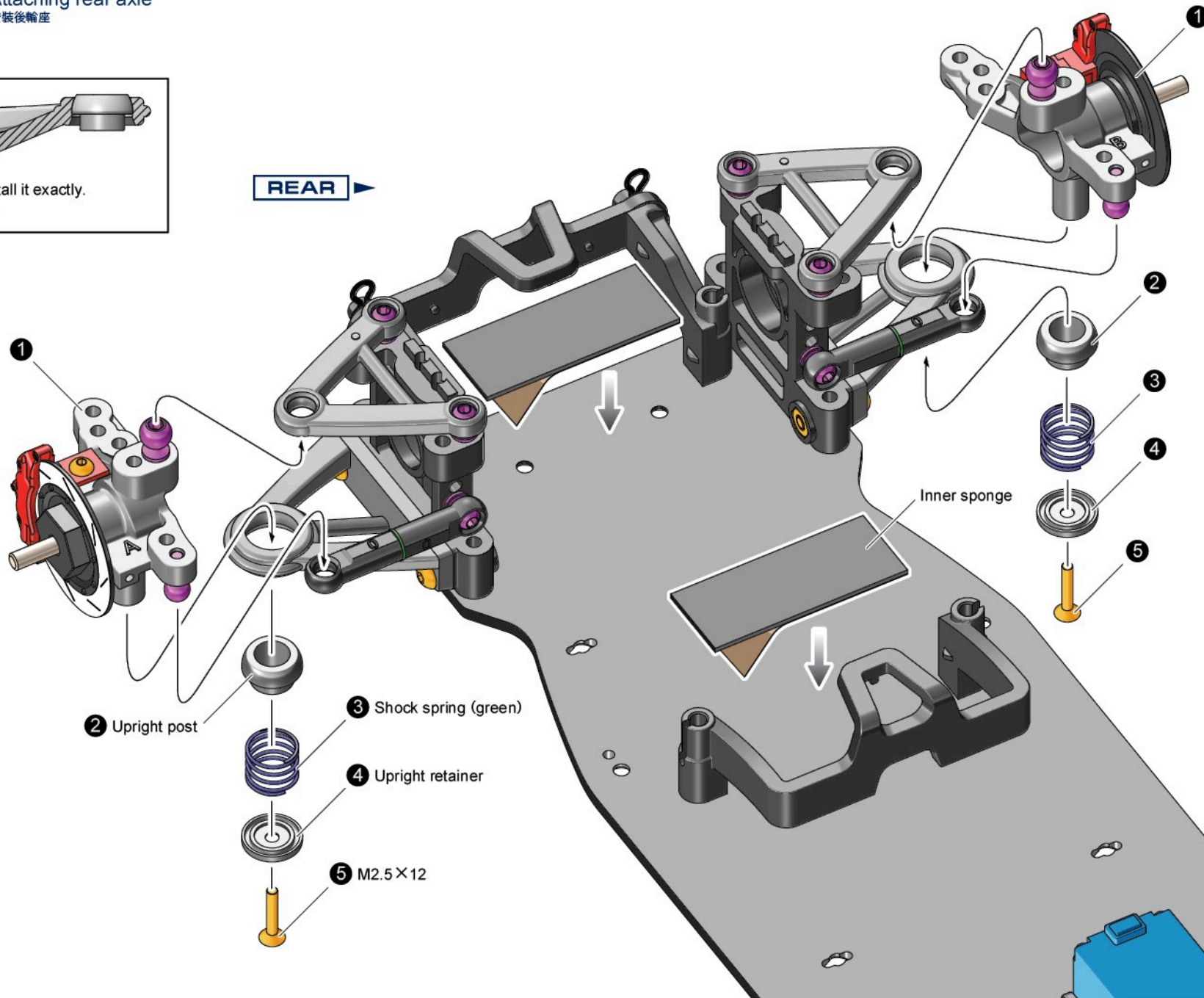
STEP 2 Attaching rear axle  
安裝後輪座

※ Please install it exactly.  
請確實安裝。

REAR

R

L



2 Upright post




3 Shock spring (green)

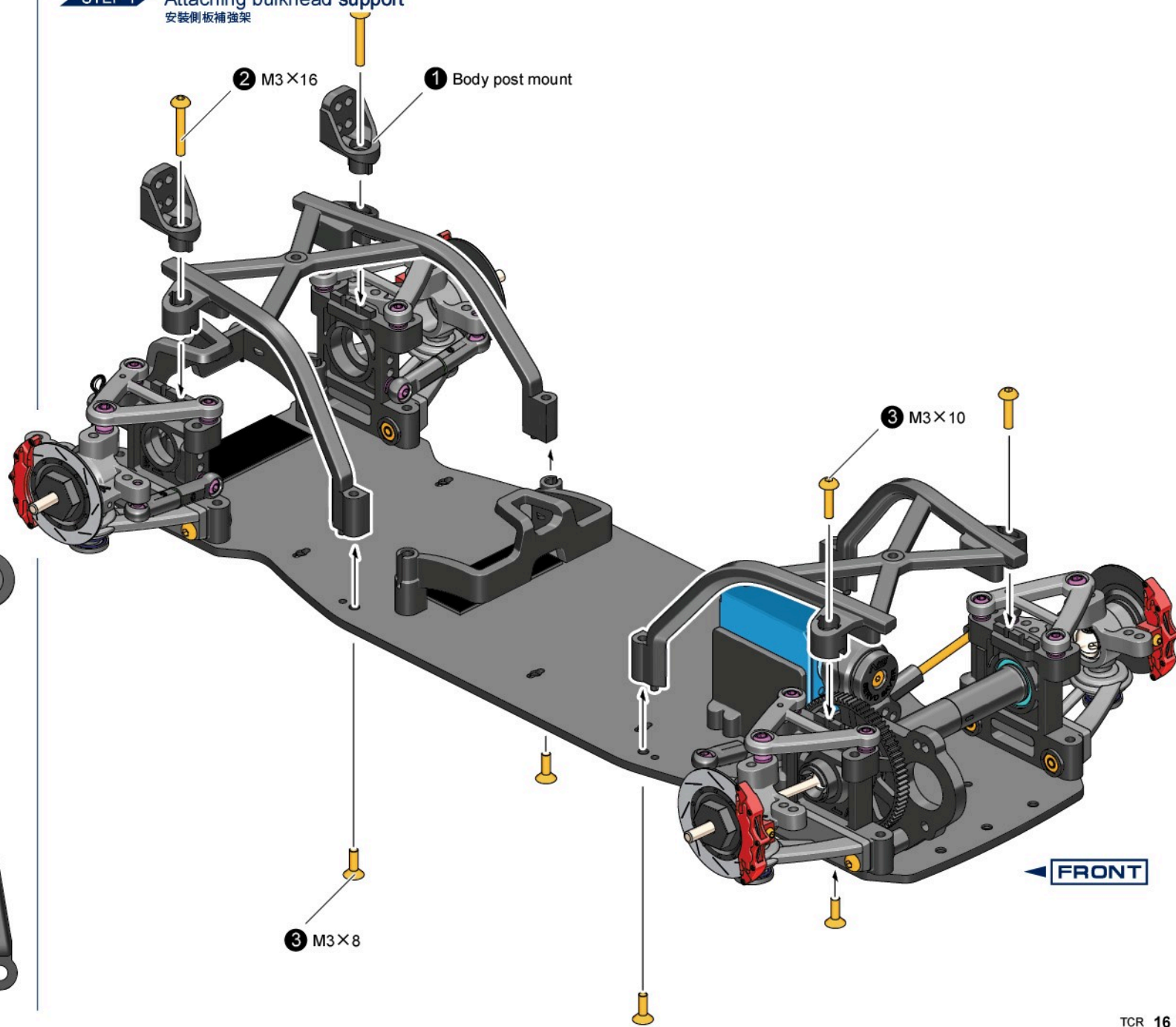
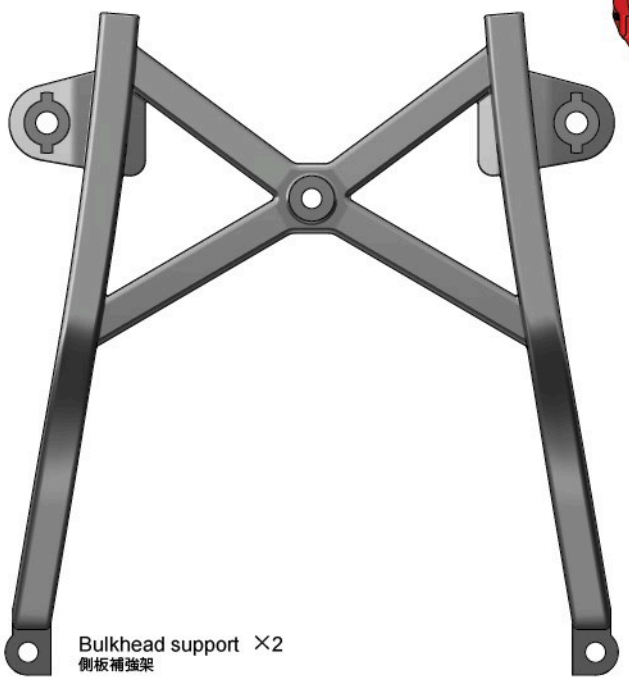
4 Upright retainer

5 M2.5 x 12

Inner sponge

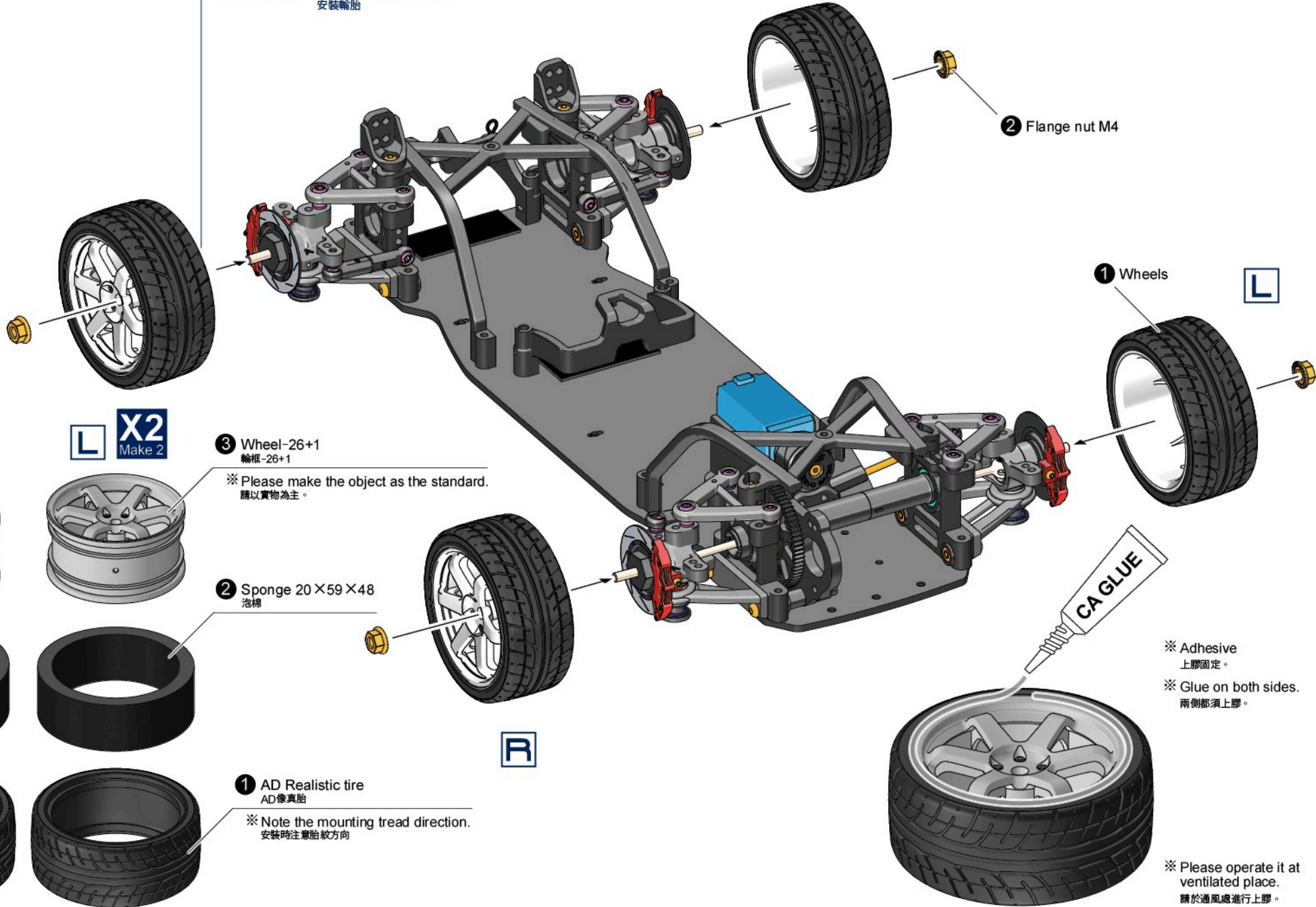
**STEP 1** Attaching bulkhead support  
安裝側板補強架

-  M3×8 screw ×4  
沉頭螺絲
-  M3×10 screw ×2  
圓頭螺絲
-  M3×16 screw ×2  
圓頭螺絲
-  Body post mount ×2  
後支柱座





**STEP 1** Attaching wheels  
安裝輪胎



**R** X2  
Make 2

**L** X2  
Make 2

**3** Wheel-26+1  
輪框-26+1

※ Please make the object as the standard.  
請以實物為主。

**2** Sponge 20×59×48  
泡棉

**1** AD Realistic tire  
AD像真胎

※ Note the mounting tread direction.  
安裝時注意胎紋方向

**1** Wheels

**2** Flange nut M4

CA GLUE

※ Adhesive  
上膠固定。  
※ Glue on both sides.  
兩側都須上膠。

※ Please operate it at  
ventilated place.  
請於通風處進行上膠。

STEP 1 Attaching motor、ESC、receiver & battery (not included)

安裝馬達、電子變速器、接收機和電池 (不包含)

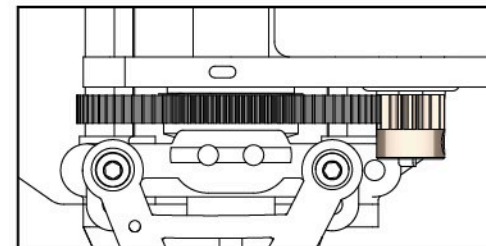
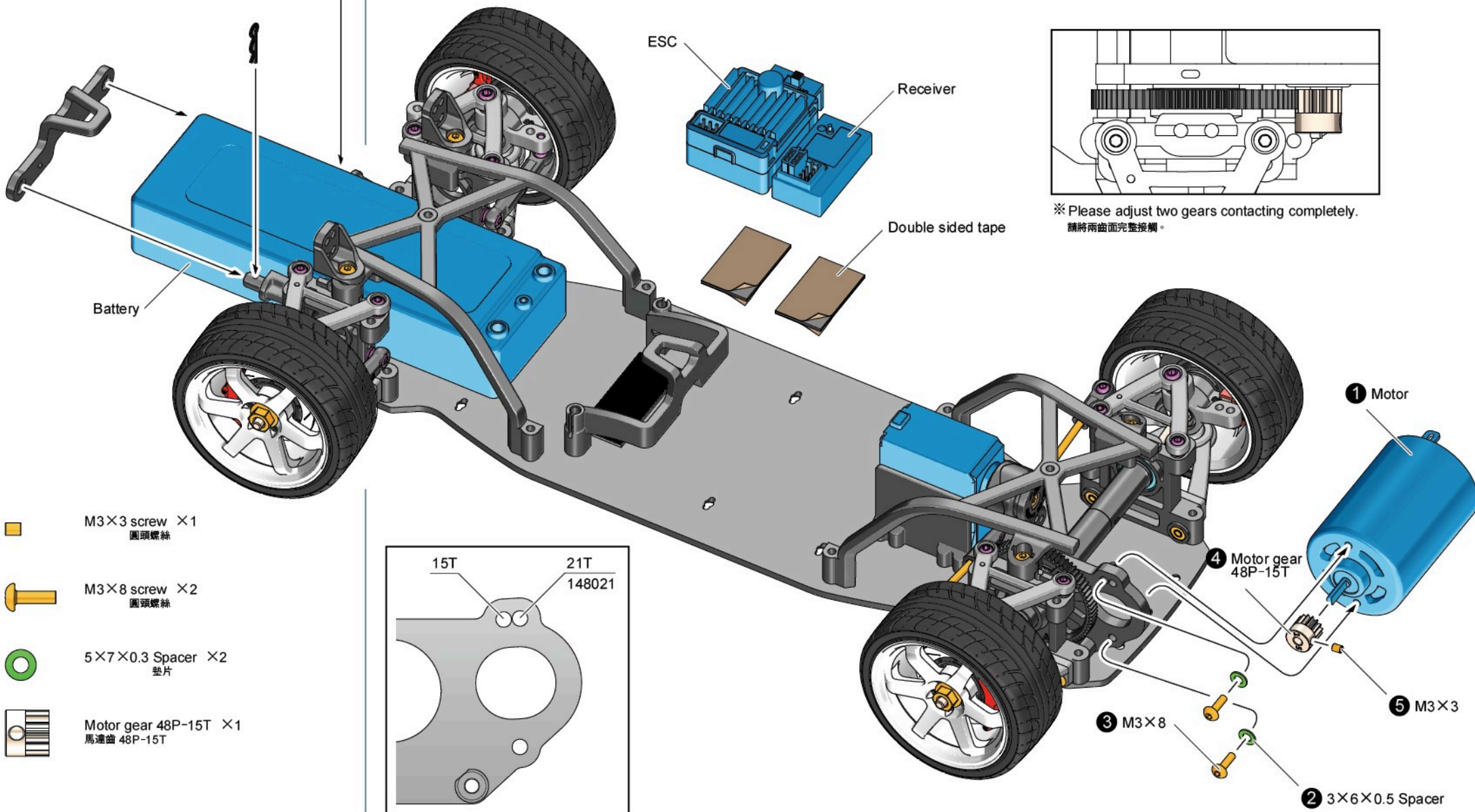
※ Recommended hard battery measurement L140×W48×H26mm. (not exceed)

建議使用硬殼鋰電池，規格勿超過 長140 寬48 高26。

※ Please refer to the electronic equipments on the MST website  
電子配備可至官方網站選購。  
[ www.rc-mst.com ]



MST website



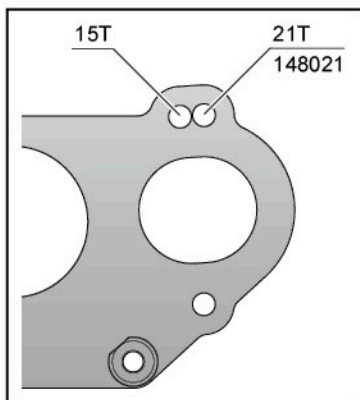
※ Please adjust two gears contacting completely.  
請將兩齒面完整接觸。

M3×3 screw ×1  
圓頭螺絲

M3×8 screw ×2  
圓頭螺絲

5×7×0.3 Spacer ×2  
墊片

Motor gear 48P-15T ×1  
馬達齒 48P-15T



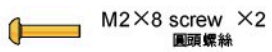
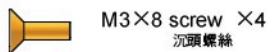
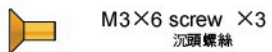
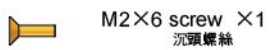
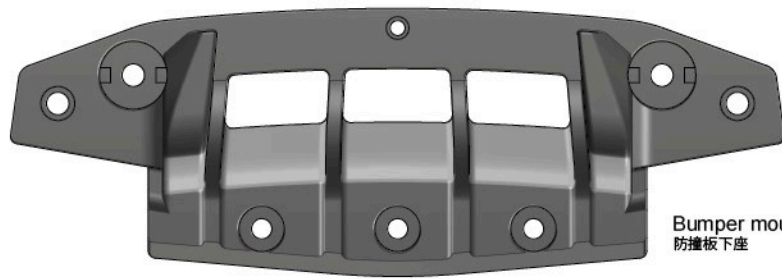
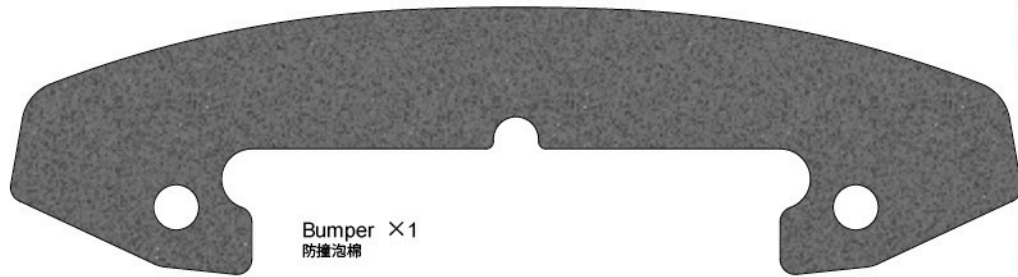
1 Motor

4 Motor gear 48P-15T

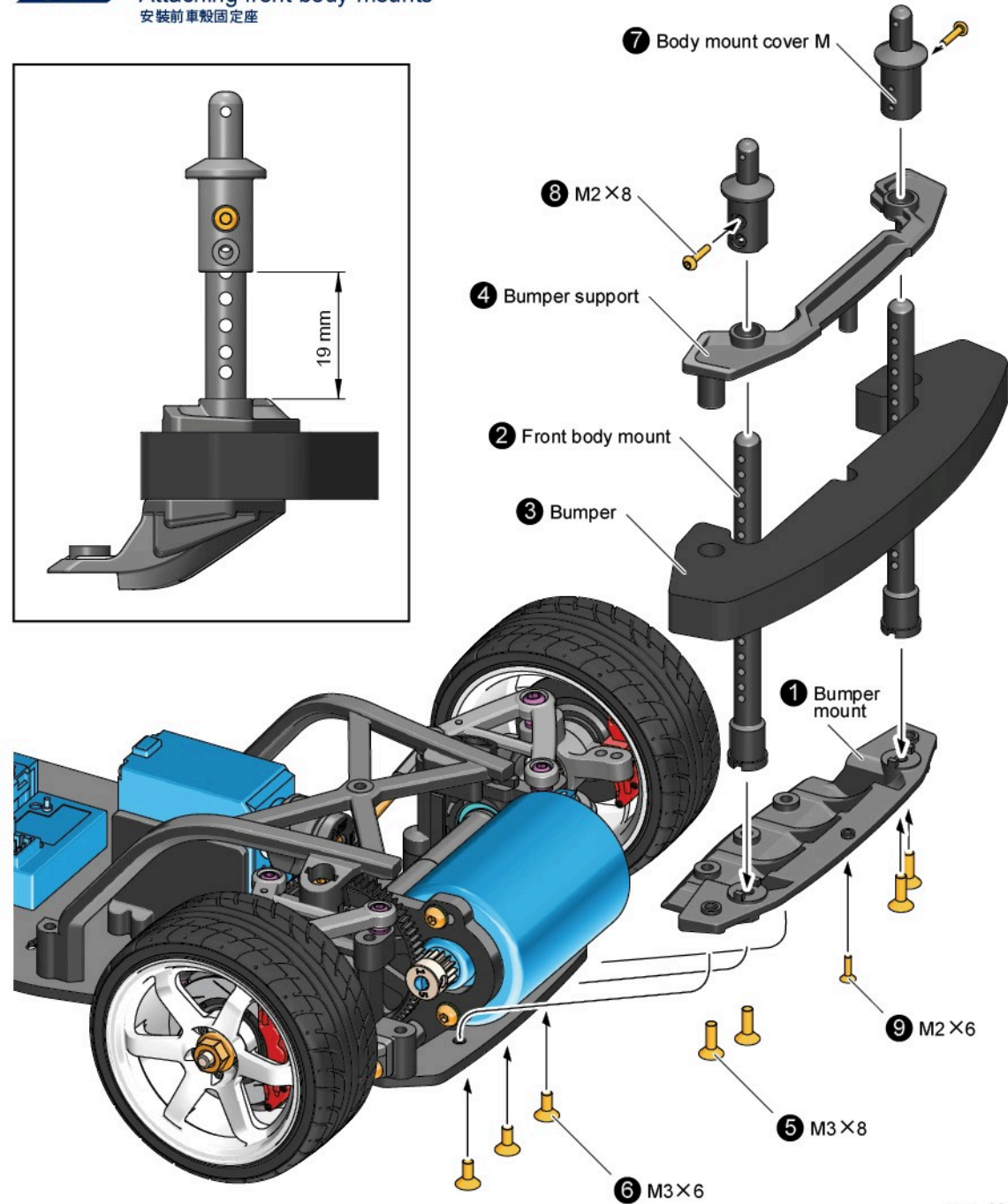
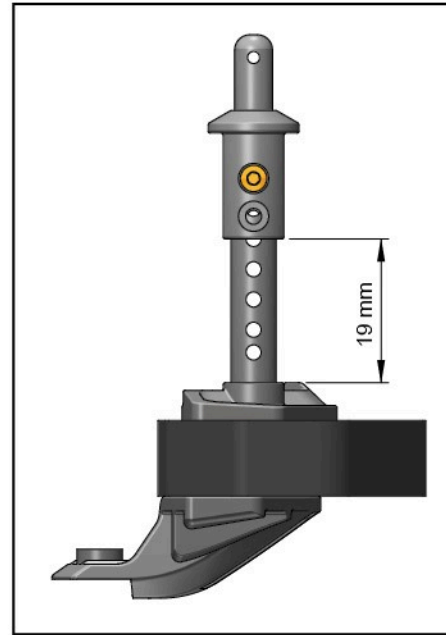
5 M3×3

3 M3×8

2 3×6×0.5 Spacer



STEP 1 Attaching front body mounts  
安裝前車殼固定座





Rear bumper ×1  
後防撞板



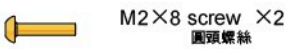
Body post brace ×1  
車殼支柱補強桿



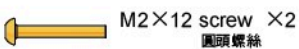
Rear body mount ×2  
後車殼支柱



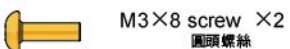
Body mount cover L ×2  
支柱套 L



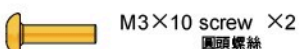
M2×8 screw ×2  
圓頭螺絲



M2×12 screw ×2  
圓頭螺絲

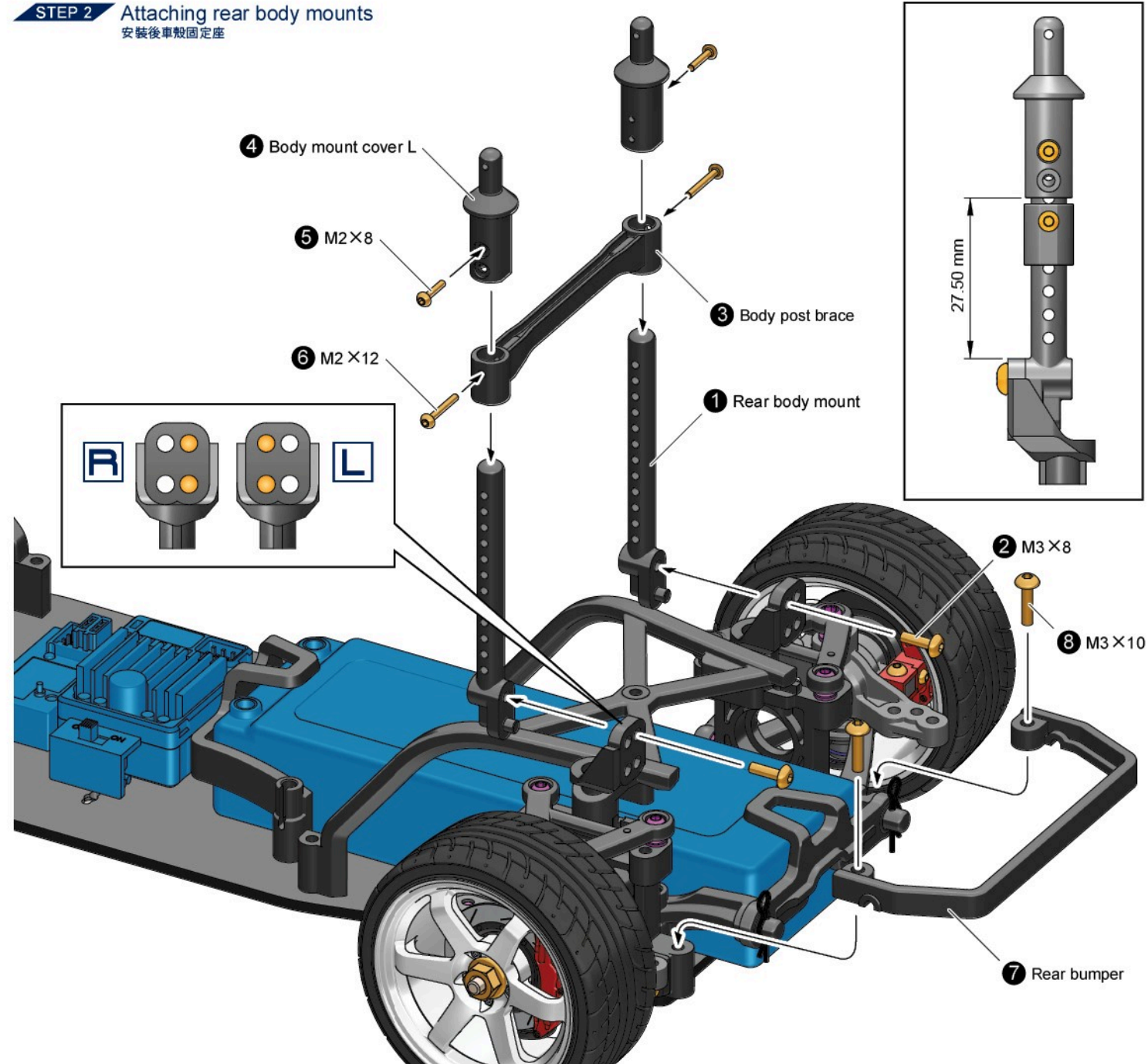


M3×8 screw ×2  
圓頭螺絲



M3×10 screw ×2  
圓頭螺絲

STEP 2 Attaching rear body mounts  
安裝後車殼固定座

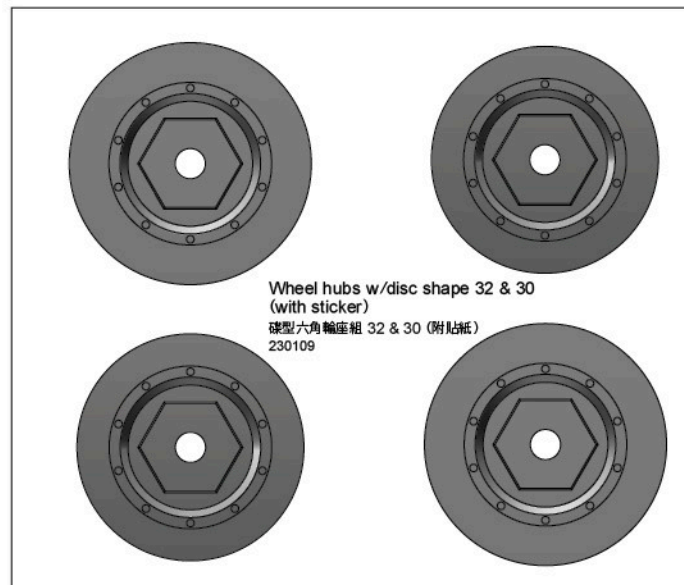
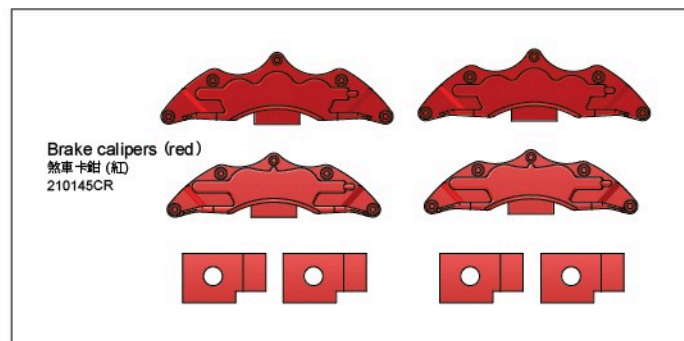


# PARTS

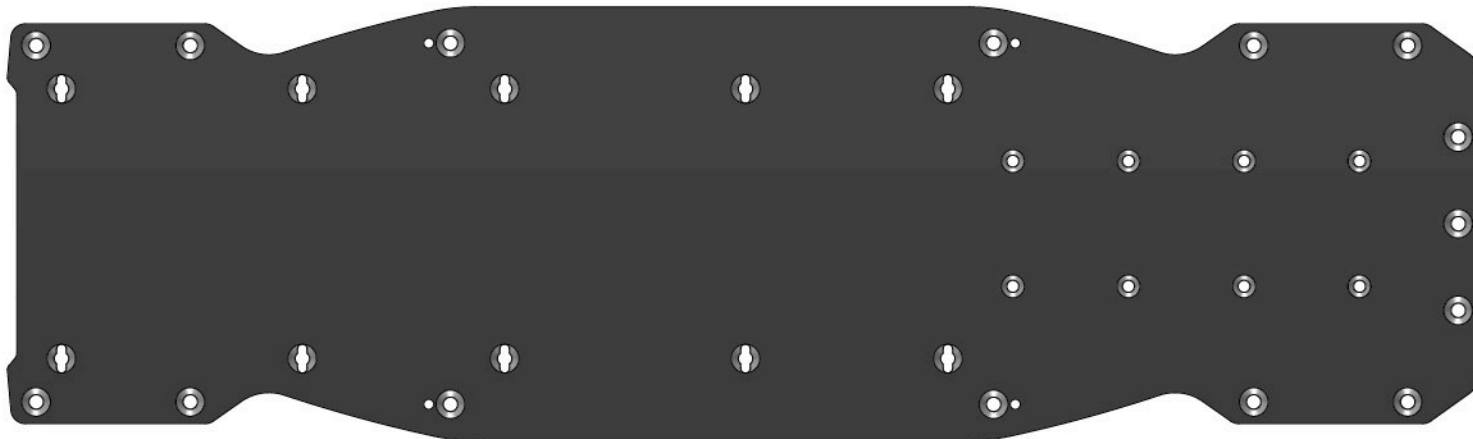
- M2×5 screw ×4  
圓頭螺絲  
110050
- M2×8 screw ×4  
圓頭螺絲  
110063
- M2×12 screw ×2  
圓頭螺絲  
110111
- M2.5×6 screw ×4  
圓頭螺絲  
110003
- M3×8 screw ×4  
圓頭螺絲  
110002
- M3×10 screw ×4  
圓頭螺絲  
110026
- M3×12 screw ×6  
圓頭螺絲  
110029
- M3×16 screw ×2  
圓頭螺絲  
110086
- M3×20 screw ×2  
圓頭螺絲  
110088
- M2×6 screw ×1  
沉頭螺絲  
110042
- M2.5×6 screw ×4  
沉頭螺絲  
110112
- M2.5×12 screw ×4  
沉頭螺絲  
110109
- M2.5×16 screw ×1  
沉頭螺絲  
110113
- M3×6 screw ×3  
沉頭螺絲  
110024
- M3×8 screw ×18  
沉頭螺絲  
110005
- M3×16 screw ×2  
沉頭螺絲  
110073
- M2.5×30 screw ×1  
有頭螺絲(半牙)  
110053

- M3×2.6 screw ×2  
止付螺絲  
110060
- M3×3 screw ×1  
止付螺絲  
110035
- M3×12 screw ×2  
止付螺絲  
110056
- M3×30 screw ×2  
止付螺絲  
110103
- Lock nut M2.5 ×1  
防鬆螺帽  
110097
- Nut M3 ×6  
螺帽  
110110
- Flange nut M4 ×4  
凸緣螺帽  
110015
- R-clip 5.0 ×8  
R-銷 5.0  
820075
- 2×9.8 Shaft ×4  
插銷  
110017
- 2×10.8 Shaft ×2  
插銷  
110106
- Cross joint ×2  
連接軸  
820030
- Motor gear 48P-15T ×1  
馬達齒 48P-15T  
318100
- 2WD Axle ×2  
二驅輪軸  
820095
- 4WD ×2  
四驅輪軸  
820094
- Steel CVD universal shaft 24.5 ×2  
鋼製CVD傳動軸 24.5  
210605

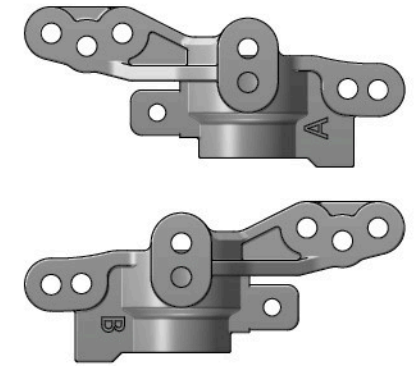
- 2.5×6 Spacer ×2  
鋼板  
120008
- 3×6×0.5 Spacer ×5  
墊片  
110047
- 5×7×0.3 Spacer ×4  
墊片  
820020
- Diff. plate ×2  
落差壓板  
310033
- 5×9×3 Ball bearing ×8  
培林  
120020
- 10×15×4 Ball bearing ×2  
培林  
120001
- Steel ball 1.5 ×10  
鋼珠 1.5  
120008
- Steel ball 3.0 ×10  
鋼珠 3.0  
110020
- 4.8×4.5 Ball connector ×16  
球頭螺絲  
310001
- 5.8×4 Ball connector (L) ×4  
球頭螺絲(長)  
210491
- Diff. spring ×1  
落差彈簧  
310032
- Hard coil spring 11mm ×2  
(silver)  
硬避震彈簧 11mm (銀)  
820132
- Soft coil spring 11mm ×2  
(green)  
軟避震彈簧 11mm (綠)  
820132



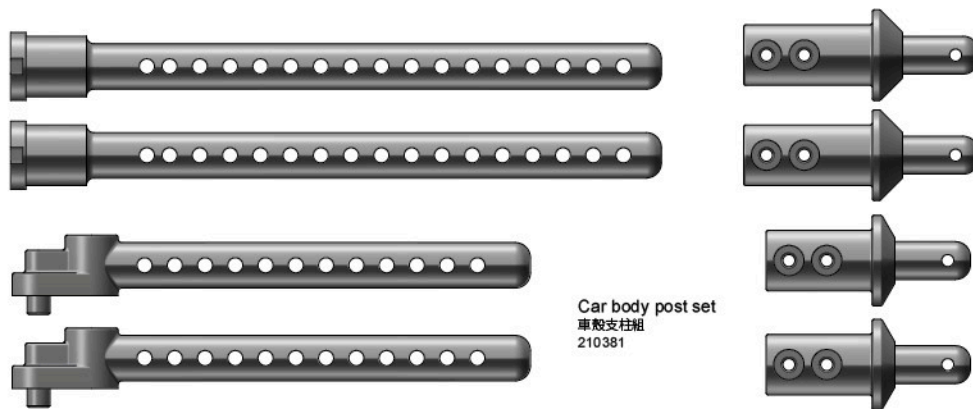
**PARTS**



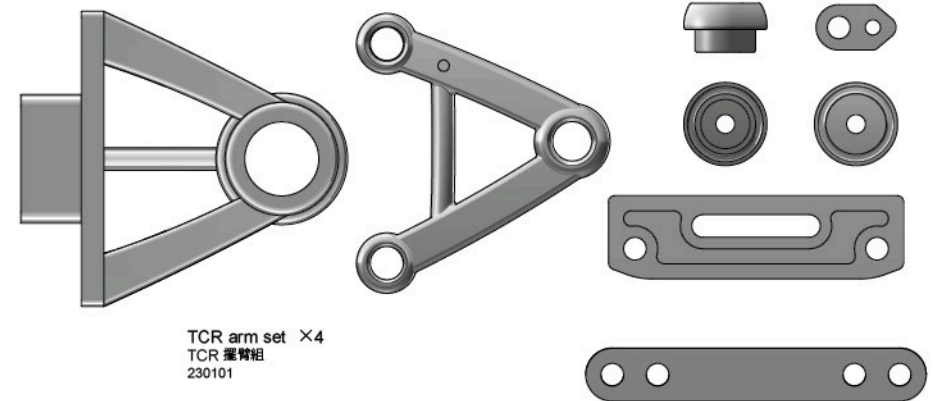
TCR Lower deck 2.5 ×1  
TCR 纖維底盤 2.5  
210607



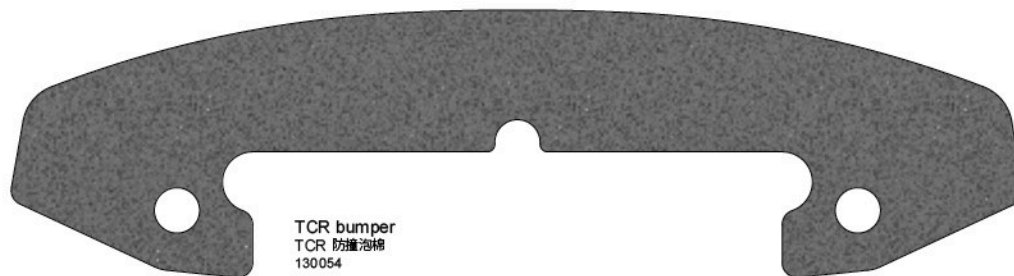
TCR wheel hub set ×2  
TCR 輪座組  
230102



Car body post set  
車殼支柱組  
210381



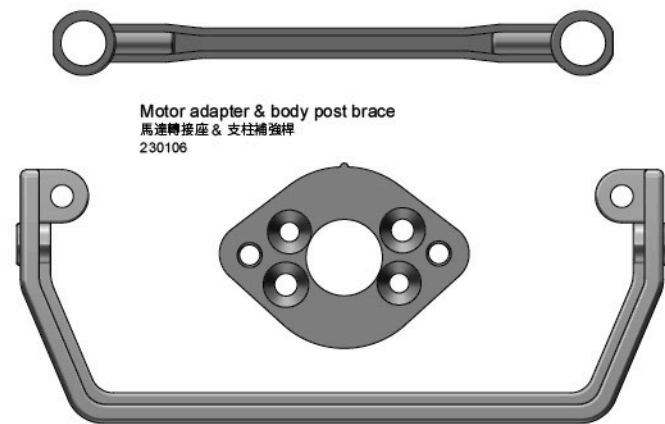
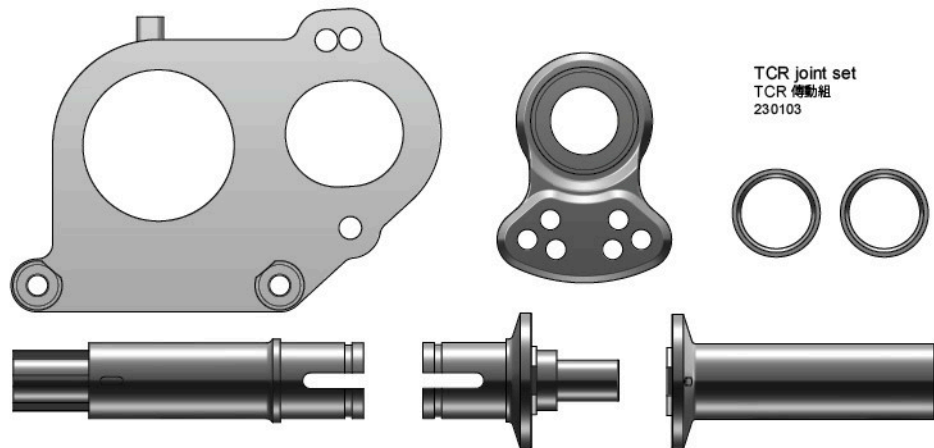
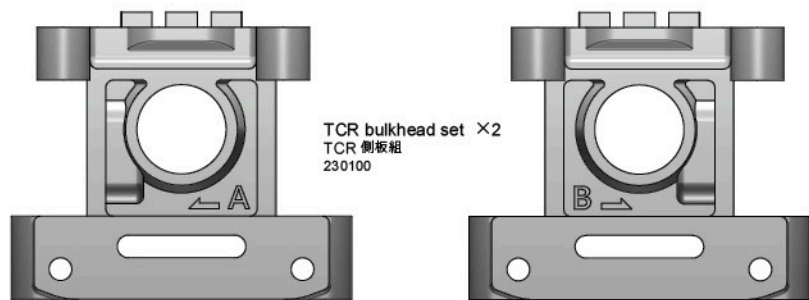
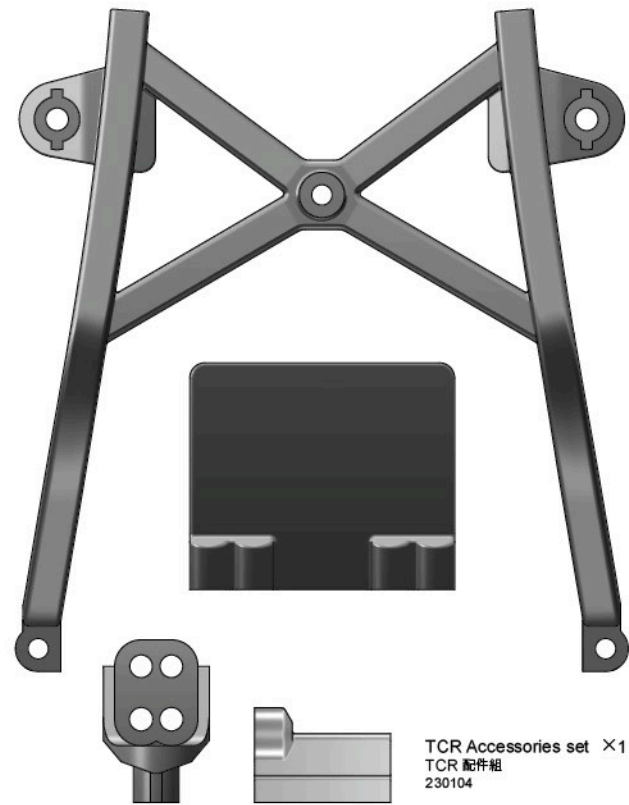
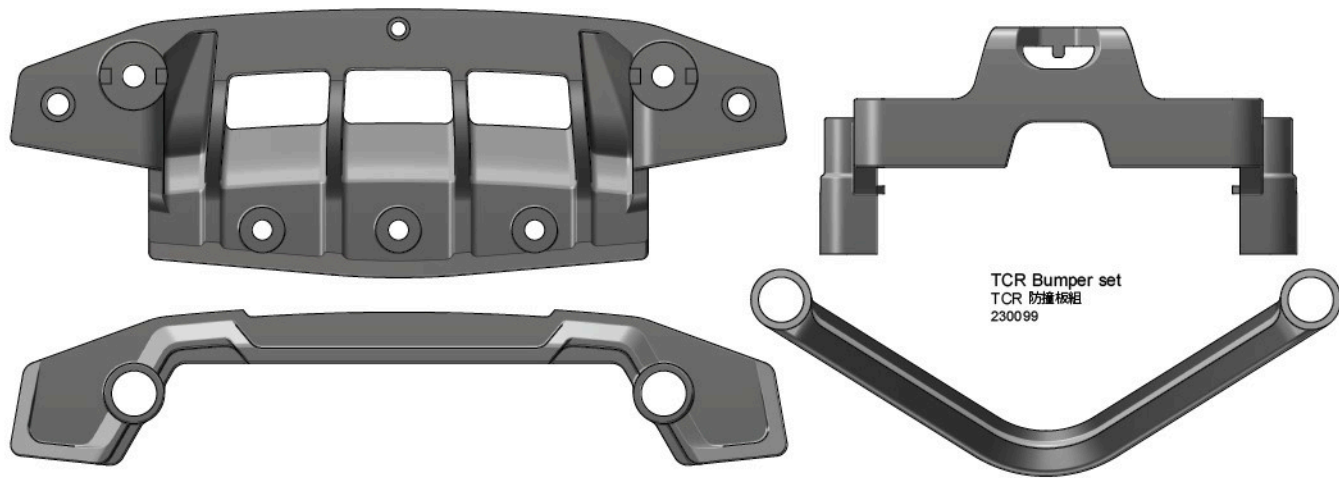
TCR arm set ×4  
TCR 擺臂組  
230101



TCR bumper  
TCR 防撞泡棉  
130054



Battery mount  
電池座組  
230060



## PARTS CODE

101031	AD Realistic tire (4)	110086	Round head screw M3×16 (6)	130054	TCR Bumper	230107	MST EG6 body accessories
110002	Round head screw M3×8 (10)	110088	Round head screw M3×20 (6)	148015	MST 48P Pinion 15T	230108	Diff. spur gear 48P-75T
110003	Round head screw M2.5×6 (6)	110097	Lock nut M2.5 (5)	210145CR	Brake calipers (red) (4)	230109	Wheel hubs w/disc shape 32 & 30
110005	Countersunk screw M3×8 (10)	110103	Set screw M3×30 (6)	210193	Cross joint (4)	310001	Ball connector 4.8×4.5 (5)
110015	Flange nut M4 (4)	110106	Shaft 2×10.8 (8)	210381	Car body post set	310032	Diff. screw & spring set
110017	Shaft 2×9.8 (10)	110109	Countersunk screw M2.5×12 (6)	210491	Ball connector L 5.8×4 (4)	310033	Diff. plate (2)
110020	Steel ball 3.0 (13)	110110	Nut M3 (NL) (10)	210605	Steel CVD universal shaft 24.5 (40° ) (2)	720006	MST EG6 body (clear)
110024	Countersunk screw M3×6 (10)	110111	Round head screw M2×16 (6)	210607	TCR Lower deck 2.5 (257)	820020	Spacer 5×7×0.3 (8)
110026	Round head screw M3×10 (10)	110112	Countersunk screw M2.5×6 (6)	230011BK	Black 5H wheel (+1) (4)	820075	R-clip 5.0 (10)
110029	Round head screw M3×12 (6)	110113	Countersunk screw M2.5×16 (6)	230012BK	Black TE wheel (+1) (4)	820094	AKM 4WD axle (2)
110035	Set screw M3×3 (6)	120001	Ball bearing 10×15 (4)	230060	Battery mount	820095	AKM 2WD axle (2)
110042	Countersunk screw M2×6 (6)	120008	Thrust bearing 2.5×6	230099	TCR Bumper set	820126	NS High-torque servo saver
110047	Spacer 3×6×0.5 (8)	120020	Ball bearing 5×9×3 (4)	230100	TCR Bulkhead set	820132	11mm Coil spring set (12)
110050	Round head screw M2×5 (6)	130006	Double sided tape (5)	230101	TCR Arm set		
110053	Cap screw M2.5×30 (2)	130007	Antenna pipe (2)	230102	TCR Wheel hub set		
110056	Set screw M3×12 (6)TCR	130008	Black grease	230103	TCR Joint set		
110060	Set screw M3×2.6 (10)	130034	Sponge 20×80×1 (4)	230104	TCR Accessories set		
110063	Round head screw M2×8 (6)	130036	Tools	230105	Rod end set		
110073	Countersunk screw M3×16 (6)	130040	Ball diff. grease	230106	Motor adapter & body post brace		

## 部品編號

101031	AD像真胎 (4)	110086	六角半圓頭螺絲 M3×16 (6)	130054	TCR 防撞泡棉	230107	MST EG6 車殼配件組
110002	六角半圓頭螺絲 M3×8 (10)	110088	六角半圓頭螺絲 M3×20 (6)	148015	MST 48P 馬達齒 15T	230108	滾差大直齒 48P-75T
110003	六角半圓頭螺絲 M2.5×6 (6)	110097	防鬆螺帽 M2.5 (5)	210145CR	煞車卡鉗 (紅) (4)	230109	碟型六角輪座組 32 & 30
110005	六角沉頭螺絲 M3×8 (10)	110103	六角止付螺絲 M3×30 (6)	210193	連接軸 (4)	310001	內六角公球頭 4.8×4.5 (5)
110015	凸緣螺帽 M4 (4)	110106	插銷 2×10.8 (剖溝) (8)	210381	車殼支柱組	310032	滾差彈簧螺絲組
110017	插銷 2×9.8 (10)	110109	六角沉頭螺絲 M2.5×12 (6)	210491	球頭螺絲 L 5.8×4 (4)	310033	滾差壓板 (2)
110020	差速鋼珠 3.0 (13)	110110	螺帽 M3 (耐落) (10)	210605	鋼製CVD傳動軸 24.5 (40° ) (2)	720006	MST EG6 車殼 (透明)
110024	六角沉頭螺絲 M3×6 (10)	110111	六角半圓頭螺絲 M2×16 (6)	210607	TCR 纖維底盤 2.5 (257)	820020	墊片 5×7×0.3 (8)
110026	六角半圓頭螺絲 M3×10 (10)	110112	六角沉頭螺絲 M2.5×6 (6)	230011BK	黑5H輪框 (+1) (4)	820075	R銷 5.0 (10)
110029	六角半圓頭螺絲 M3×12 (6)	110113	六角沉頭螺絲 M2.5×16 (6)	230012BK	黑TE輪框 (+1) (4)	820094	AKM 四驅輪軸 (2)
110035	六角止付螺絲 M3×3 (6)	120001	培林 10×15 (4)	230060	電池座組	820095	AKM 二驅輪軸 (2)
110042	六角沉頭螺絲 M2×6 (6)	120008	止推培林 2.5×6	230099	TCR 防撞板組	820126	NS 高扭力伺服緩衝器
110047	墊片 3×6×0.5 (8)	120020	培林 5×9×3 (4)	230100	TCR 側板組	820132	11mm 避震彈簧組 (12)
110050	六角半圓頭螺絲 M2×5 (6)	130006	泡棉雙面膠 (5)	230101	TCR 擺臂組		
110053	六角有頭螺絲 M2.5×30 (半牙) (2)	130007	天線管 (2)	230102	TCR 輪座組		
110056	六角止付螺絲 M3×12 (6)	130008	黑色油膏	230103	TCR 傳動組		
110060	六角止付螺絲 M3×2.6 (10)	130034	吸震泡棉 20×80×1 (4)	230104	TCR 配件組		
110063	六角半圓頭螺絲 M2×8 (6)	130036	工具包	230105	拉桿頭組		
110073	六角沉頭螺絲 M3×16 (6)	130040	滾珠差速油	230106	馬達轉接座 & 支柱補強桿		

026181

# TCR

1 / 10 RC 2WD HIGH PERFORMANCE RACING CAR

## INSTRUCTION MANUAL

[www.rc-mst.com](http://www.rc-mst.com)



MST website MST facebook

# MST

MAX SPEED TECHNOLOGY